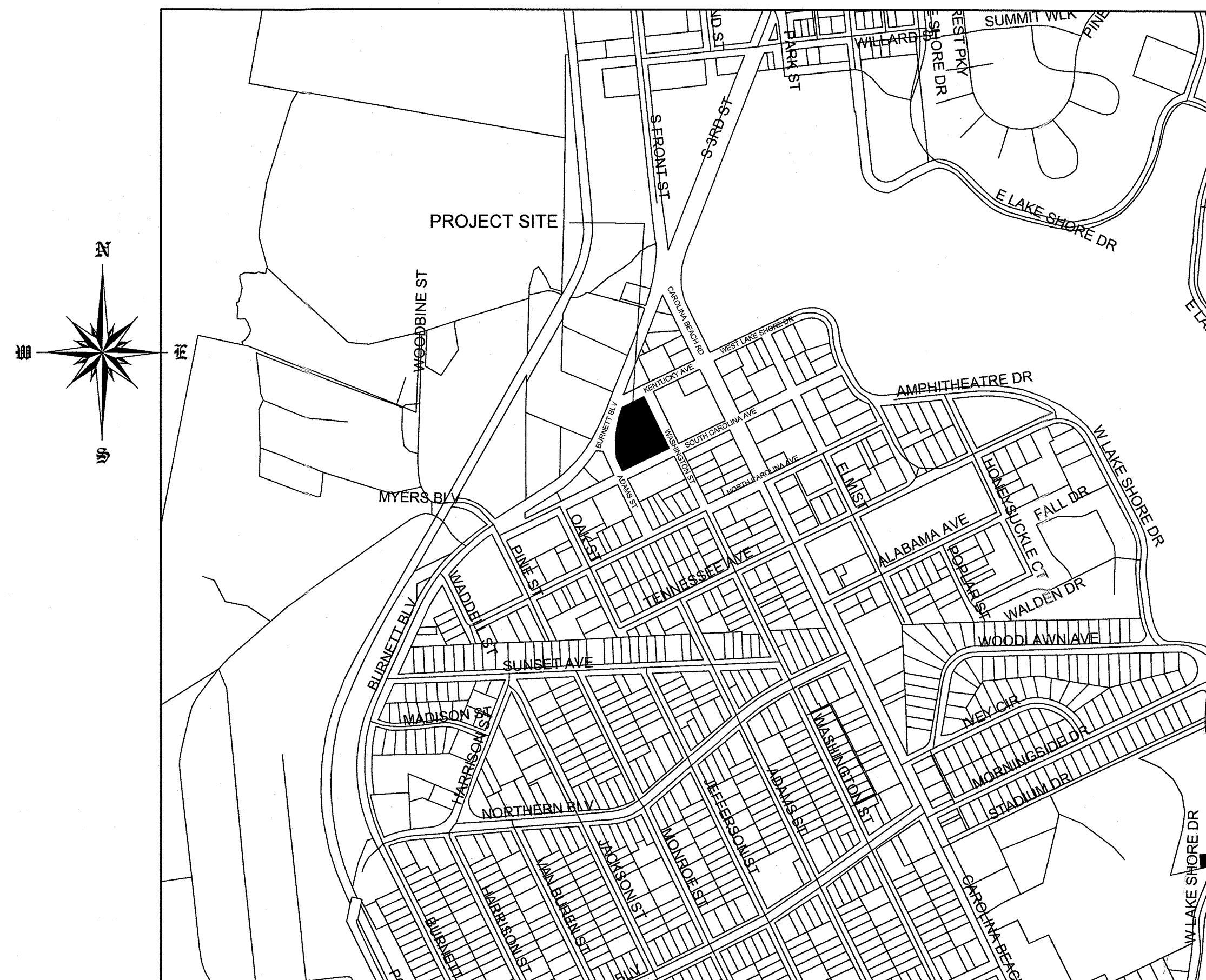


SITE CONSTRUCTION PLANS DRAM TREE TAVERN

302 KENTUKY AVENUE
WILMINGTON, NC 28401

NOTES

1. PRIOR TO ANY CLEARING, GRADING OR CONSTRUCTION ACTIVITY, TREE PROTECTION FENCING (IF REQUIRED) WILL BE INSTALLED AROUND PROTECTED TREES OR GROVES OF TREES AND NO CONSTRUCTION WORKERS, TOOLS, MATERIALS, OR VEHICLES ARE PERMITTED WITHIN THE TREE PROTECTION.
2. ANY TREES AND/OR AREAS DESIGNATED TO BE PROTECTED MUST BE PROPERLY BARRICADED WITH FENCING AND PROTECTED THROUGHOUT CONSTRUCTION TO INSURE THAT NO CLEARING, GRADING OR STAGING OF MATERIALS OCCUR IN THOSE AREAS.
3. NO EQUIPMENT IS ALLOWED ON SITE UNTIL ALL TREE PROTECTION FENCING AND SILT FENCING IS INSTALLED AND APPROVED. PROTECTIVE FENCING IS TO BE MAINTAINED THROUGHOUT THE DURATION OF THE PROJECT, AND CONTRACTORS SHALL RECEIVE ADEQUATE INSTRUCTION ON TREE PROTECTION METHODS.
4. ALL PAVEMENT MARKINGS IN PUBLIC RIGHTS OF WAY AND FOR DRIVEWAY ARE TO BE THERMO PLASTIC AND MEET CITY AND/OR NCDOT STANDARDS.
5. ONCE STREETS ARE OPEN TO TRAFFIC, CONTACT TRAFFIC ENGINEERING REGARDING THE INSTALLATION OF TRAFFIC AND STREET NAME SIGNS. PROPOSED STREET NAMES MUST BE APPROVED PRIOR TO INSTALLATION OF STREET SIGN NAMES.
6. TRAFFIC CONTROL DEVICES (INCLUDING SIGNS AND PAVEMENT MARKINGS) IN AREAS OPEN TO PUBLIC TRAFFIC ARE TO MEET MUTCD STANDARDS AND BE MAINTAINED BY THE OWNER.
7. CONTACT TRAFFIC ENGINEERING AT 910-341-7888 TO ENSURE THAT ALL TRAFFIC SIGNAL FACILITIES AND EQUIPMENT ARE SHOWN ON THE PLAN.
8. TRAFFIC ENGINEERING TO BE NOTIFIED AT 341-7888 FORTY-EIGHT HOURS PRIOR TO ANY EXCAVATION IN THE RIGHT OF WAY.
9. TRAFFIC ENGINEERING MUST APPROVE OF PAVEMENT MARKING PRIOR TO ACTUAL STRIPING.
10. ALL PARKING STALL MARKINGS AND LANE ARROWS WITHIN PARKING AREAS SHALL BE WHITE. ALL PAVEMENT MARKINGS IN PUBLIC RIGHTS OF WAY FOR DRIVEWAY ARE TO BE THERMO PLASTIC AND MEET CITY AND/OR NCDOT STANDARDS.
11. ALL TRAFFIC CONTROL SIGNS AND MARKINGS OFF THE RIGHT OF WAY ARE TO BE MAINTAINED BY THE PROPERTY OWNER.
12. STOP SIGNS AND STREET SIGNS TO REMAIN IN PLACE DURING CONSTRUCTION.
13. TACTILE WARNING MATS WILL BE INSTALLED ON ALL WHEEL CHAIR RAMPS.
14. A UTILITY CUT PERMIT IS REQUIRED FOR EACH OPEN CUT OF A CITY STREET.
15. ANY BROKEN OR MISSING SIDEWALK PANELS, DRIVEWAY PANELS AND CURBING WILL BE REPLACED.
16. CONTACT TRAFFIC ENGINEERING AT 341-7888 TO DISCUSS STREET LIGHTING OPTIONS.
17. WATER AND SEWER SERVICE SHALL MEET CAPE FEAR PUBLIC UTILITY AUTHORITY DETAILS AND SPECIFICATIONS.
18. PROJECT SHALL COMPLY WITH CFPWA CROSS CONNECTION CONTROL REQUIREMENTS. WATER METERS CANNOT BE RELEASED UNTIL ALL REQUIREMENTS ARE MET AND THE STATE HAS GIVEN THEIR FINAL APPROVAL.
19. IF THE CONTRACTOR DESIRES CFPWA WATER FOR CONSTRUCTION HE SHALL APPLY IN ADVANCE FOR THIS SERVICE AND MUST SUPPLY A RPZ BACKFLOW PREVENTION DEVICE ON THE DEVELOPER'S SIDE OF THE WATER METER BOX.
20. ANY IRRIGATION SYSTEM SUPPLIED BY CFPWA SHALL COMPLY WITH THE CFPWA CROSS CONNECTION REGULATIONS.
21. ANY IRRIGATION SYSTEM SHALL BE EQUIPPED WITH A RAIN AND FREEZE SENSOR.
22. ANY BACKFLOW PREVENTION DEVICES REQUIRED BY THE CFPWA WILL NEED TO BE ON THE LIST OF APPROVED DEVICES BY USFCOCHR.
23. CONTRACTOR TO FILED VERIFY EXISTING WATER AND SEWER LOCATIONS, SIZES AND MATERIALS PRIOR TO CONSTRUCTION. ENGINEER TO BE NOTIFIED OF CONFLICTS.
24. AN ALL WEATHER DRIVING SURFACE FOR EMERGENCY VEHICLES MUST BE MAINTAINED DURING CONSTRUCTION.
25. UNDERGROUND FIRE LINE(S) MUST BE PERMITTED AND INSPECTED BY THE WILMINGTON FIRE DEPARTMENT FROM THE PUBLIC ROW TO THE BUILDING. CONTACT THE WILMINGTON FIRE DEPARTMENT/DIVISION OF FIRE AND LIFE SAFETY AT 910-341-0696.
26. NO OBSTRUCTIONS ARE PERMITTED IN THE SPACE BETWEEN THIRTY (30) INCHES AND TEN (TEN) FEET ABOVE THE GROUND WITHIN THE TRIANGLE SIGHT DISTANCE.
27. CONTRACTOR IS TO NOTIFY (AT A MINIMUM) THE FOLLOWING COMPANIES FOR LOCATION SERVICES:
ULOCO1-800-632-4949, 48 HOURS IN ADVANCE
BELL SOUTH.....1-800-392-8712 (STEVE DAYVAULT)
CAROLINA ONE CALL CENTER 1-800-632-4949
28. THERE SHALL BE NO ENCUMBRANCES WITHIN THE NCDOT RIGHT OF WAY.
29. A LANDSCAPING PLAN INDICATING THE LOCATION OF REQUIRED STREET TREES SHALL BE SUBMITTED TO THE CITY OF WILMINGTON TRAFFIC ENGINEERING DIVISION AND PARKS AND RECREATION DEPARTMENT FOR REVIEW AND APPROVAL PRIOR TO THE RECORDING OF THE FINAL PLAT (SD 15-14 CoFw TECH STDS)
30. FIRE HYDRANTS CANNOT BE FURTHER THAN 8' FROM THE CURB.
31. PARKING AND LANDSCAPING CANNOT BLOCK FIRE HYDRANTS OF FDC'S
32. FDC'S CAN BE NO FURTHER THAN 40' FROM FIRE DEPARTMENT VEHICLE PLACEMENT
33. FDC'S CAN BE NO FURTHER THAN 150' FROM A FIRE HYDRANT
34. BICYCLE PARKING IS PROVIDED ON THE SOUTHWEST CORNER OF PROPOSED BUILDING



SCALE 1" = 600'

VICINITY MAP
OCTOBER, 2016

Approved Construction Plan	
Name	Date 1/7/17
Planning	
Traffic	1-31-17
Fire	

<p>Public Services • Engineering Division</p> <p>APPROVED PLAN - NO PERMIT REQUIRED</p> <p>Signed: <i>[Signature]</i> 1/27/17</p>

For each open utility cut of City streets, a \$325 permit shall be required from the City prior to occupancy and/or project acceptance.

LIST OF DRAWINGS

XX	COVER SHEET
C1	SITE PLAN
C2	GRADING, DRAINAGE & EROSION CONTROL
C3	LANDSCAPE PLAN
C4	DETAILS
C5	DETAILS

OWNER/DEVELOPER
CARTIER CONSTRUCTION, INC.
MR. WALT CARTIER
PO BOX 980
WRIGHTSVILLE BEACH, NC 28480
1-336-404-0009
1-910-616-5171

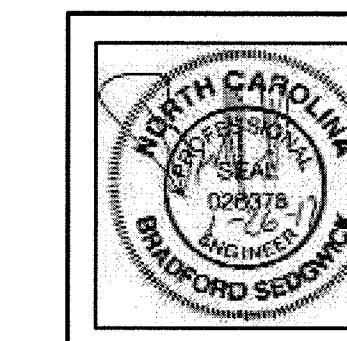
CIVIL ENGINEER
JBS CONSULTING, PA
BRAD SEDGWICK, PE
7332 COTESWORTH DRIVE
WILMINGTON, NC 28405
1-910-619-9990

SURVEYOR
PROGRESSIVE LAND DEVELOPMENT
CONSULTANTS, PLLC
SCOTT BAGGINE, PLS
112 PALM BREEZE DRIVE
CAROLINA BEACH, NC 28428
1-910-707-0168

NUMBER	DATE	REVISION
R3	1/26/17	RELEASED FOR CONSTRUCTION
R2	12/13/16	ADDRESSED 11/4/16 TRC COMMENTS
R1	10/19/16	SUBMITTED FOR TRC REVIEW



RECEIVED
 JAN 26 2017
 PLANNING DIVISION



Approved Construction Plan

Name: _____ Date: 1/7/17

Planning: _____

Traffic: _____

Fire: _____

CITY OF WILMINGTON
NORTH CAROLINA

Public Services • Engineering Division

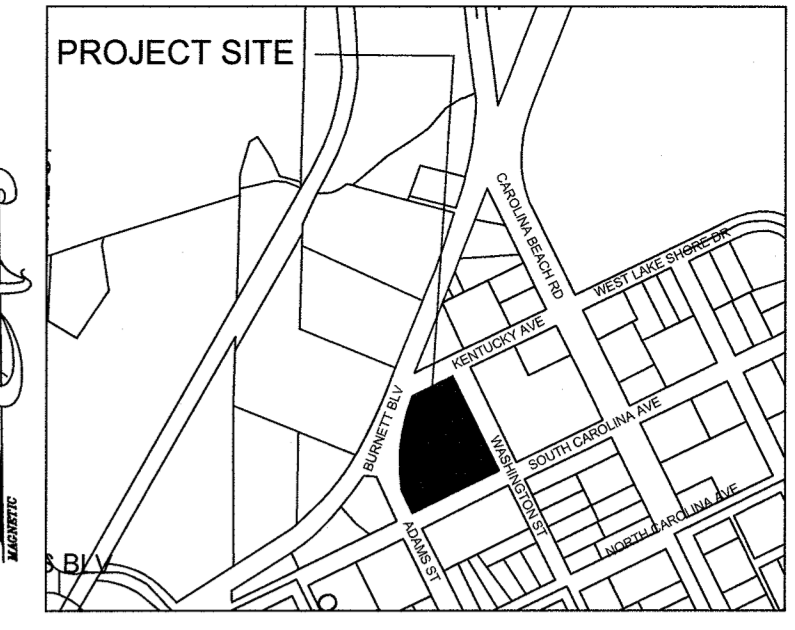
APPROVED PLAN - NO PERMIT REQUIRED

Signed: _____ 1/27/17

SAMUEL FRANK MNEIL
R06005-001-002-000
1809 BURNETT BLDV
ZONING - CS
DB 1559 PG 1449
USE: EMPTY

QUIMBY C. REYNOLDS
R06005-002-002-000
305 KENTUCKY AVENUE
ZONING - CS
DB 1559 PG 1449
USE: EMPTY

SAMUEL FRANK MNEIL
R06005-001-002-000
1809 BURNETT BLDV
ZONING - CS
DB 1559 PG 1449
USE: CONSTRUCTION



DESIGNED BY:	BDS
DRAWN BY:	BDS
CHECKED BY:	BDS
DATE:	OCTOBER, 2016

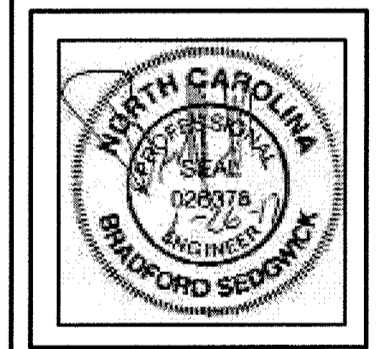
SITE PLAN

DRAM TREE TAVERN

302 KENTUCKY AVENUE
WILMINGTON, NC 28401

CARTIER CONSTRUCTION, INC

WALT CARTIER
PO BOX 980
WRIGHTSVILLE BEACH, NC 28480



JBS CONSULTING, PA

7332 Colesworth Drive
Wilmington, NC 28405
(910) 619-9990
License Number C-2525

PLANNING - ENGINEERING - PROJECT MANAGEMENT

SHEET

C1

of 6

JOB NO. 109-001

SITE DATA

ADDRESS: 302 KENTUCKY AVENUE, WILMINGTON, NC

PARCEL ID NUMBERS: R06005-006-001-000

DEED BOOK & PAGE: D.B. 5972 PG. 1206

MAP BOOK & PAGE: MB n/a PG. n/a

ZONING: CS - COMMERCIAL SERVICES DISTRICT, CITY OF WILMINGTON

TOTAL LOT AREA: 0.77 ACRES - TRACT 1

CAMA LAND USE CLASSIFICATION: CAMA

OVERLAY DISTRICT: PROPERTY IS NOT IN A SPECIAL HIGHWAY OVERLAY DISTRICT

PROPOSED USE: NIGHTCLUB

FLOOD INFO: EAST SIDE OF PROPERTY = ZONE AE - BASE FLOOD ELEVATION = 9.0'; WEST SIDE OF PROPERTY = ZONE X

PANEL 3116, MAP # 3720311600K, APRIL 2, 2006

SEE FLOOD LINE ON DETAIL SHOWN ON SHEET C5

NUMBER OF BUILDINGS: 1 EXISTING

	REQUIRED	PROPOSED
MIN. LOT AREA	7,500 SF	84,302 SF
MIN. LOT WIDTH	65'	137'
MAX. LOT COVERAGE	N/A	2,254 / 33,566 = 6.7%
FRONT BUILDING SETBACK	35'	35'
REAR BUILDING SETBACK	15'	35'
SIDE BUILDING SETBACK	N/A	35'
MINIMUM CORNER LOT SIDE SETBACK	35'	35'
MAX. BUILDING HEIGHT	35'	17'

TOTAL IMPERVIOUS SURFACE ON-SITE	EXISTING	PROPOSED
BUILDINGS - EXISTING	2,254 SF	2,254 SF
CONCRETE SIDEWALK	0 SF	1,129 SF
GRAVEL PARKING	0 SF	0 SF**
TOTAL	2,254 SF	3,383 SF

TOTAL IMPERVIOUS SURFACE OFF-SITE	EXISTING	PROPOSED
DRIVEWAY APRON	0 SF	2,471 SF
TOTAL	0 SF	2,471 SF

**PER CIVIL ENGINEERING GRAVEL PARKING PROPOSED = 0% IMPERVIOUS

ENTIRE SITE BUA = 3,383 SF/33,566 SF = 10%

PARKING REQUIREMENTS:
NIGHTCLUBS

MAXIMUM 1 SPACE PER 65 SF EXCLUSIVE OF RESTROOM AND KITCHEN
MINIMUM 1 SPACE PER 80 SF EXCLUSIVE OF RESTROOM AND KITCHEN
PROPOSED NIGHTCLUB = 1804 SF BAR AREA + 450 KITCHEN/RESTROOMS = 2254 SF
MINIMUM SPACES = 23 MAXIMUM SPACES = 28 SPACES

SPACES PROVIDED 22 + 1 H/C = 23 SPACES

SOLID WASTE - FACILITY WILL BE SERVED WITH ROLLER CARTS AS SHOWN

UTILITY INFORMATION

WATER EXISTING USAGE: 240 GPD
WATER USAGE PROPOSED: 360 GPD
SEWER USAGE - EXISTING: 240 GPD
SEWER USAGE - PROPOSED: 360 GPD

UTILITIES NEEDS WILL BE SERVED VIA EXISTING UTILITY TAPS

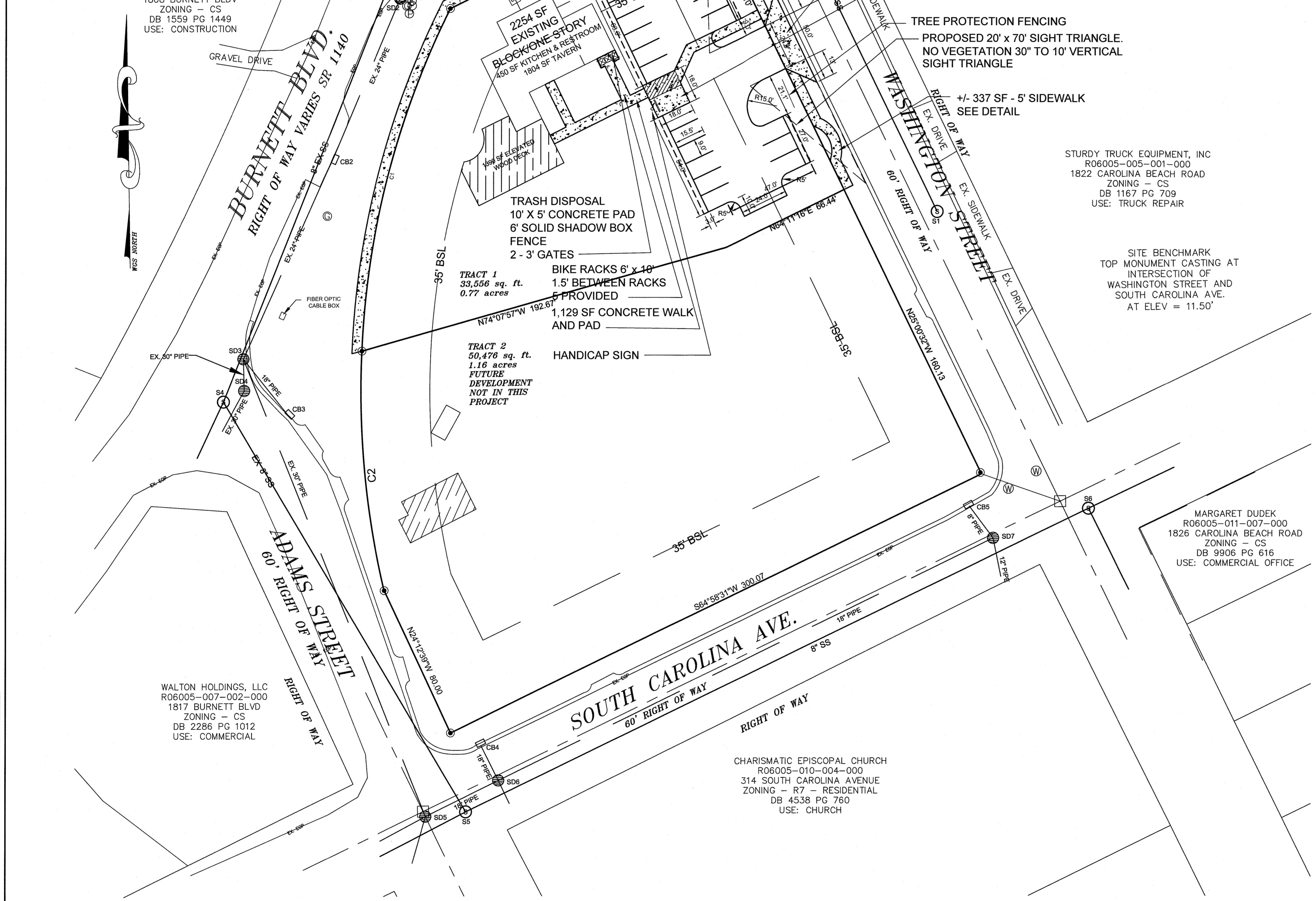
LIMITS OF DISTURRRANCE LIMITED TO 43,000 SF AS SHOWN ON SHEET C2.

SANITARY SEWER MANHOLE TABLE

MANHOLE	TOP ELEV	INVERT OUT
S1	10.62'	7.12'
S2	9.45'	6.15'
S3	6.60'	3.05'
S4	7.37'	3.57'
S5	11.88'	N/A
S6	13.79'	6.94'

STORM DRAIN TABLE

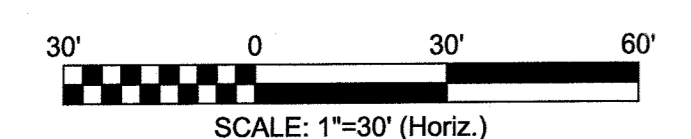
STORM DRAIN	TOP GRADE ELEV	INVERT OUT
CB1	9.70'	5.35'
SD1	9.48'	4.48'
SD2	6.83'	2.23'
CB2	8.40'	1.65'
SD3	6.92'	-0.13'
CB3	7.50'	3.70'
SD4	7.24'	-0.26'
SD5	11.64'	N/A
SD6	12.02'	9.52'
CB4	12.15'	9.50'
SD7	13.47'	10.57'
CB5	13.50'	10.55'



SITE PLAN
SCALE 1" = 30'

NO WETLAND WITHIN PROJECT AREA

CURVE	ARC LENGTH	RADIUS	DELTA ANGLE	CHORD BEARING	CHORD LENGTH
C1	180.24'	436.07'	23°40'54"	S 15°26'18" W	178.96'
C2	122.17'	436.07'	16°03'06"	S 04°25'42" E	121.77'



REVISION	DATE	DESCRIPTION
R3	1/26/17	RELEASED FOR CONSTRUCTION
R2	12/13/16	ADDRESSED 1/14/16 TRC COMMENTS
R1	10/19/16	SUBMITTED FOR TRC REVIEW
		NUMBER

Approved Construction Plan

Name: _____ Date: 1/21/17

Planning: _____

Traffic: _____

Fire: _____

CITY OF WILMINGTON
NORTH CAROLINA
Public Services • Engineering Division
APPROVED PLAN - NO PERMIT REQUIRED

Signed: *Robt D. DeLoach* 1/21/17

400 GALLON GREASE TRAP
SEE DETAIL SHEET SSD 4
EXISTING SEWER TAP

NEW 24" CURB & GUTTER
NEW ASPHALT INLAY
SEE DETAIL SHEET CS
+/- 1087 SF

EXISTING WATER METER
PROPOSED BFP
SEE DETAIL SHEET WDS 1

INSTALL SIDEWALK
AT EXISTING GRADE

POST NORTH

BURNETT BLVD.
RIGHT OF WAY VARIES SR 1140

KENTUCKY AVE.
60' RIGHT OF WAY

PROPOSED 20' x 70' SIGHT TRIANGLE.
NO VEGETATION 30' TO 10' VERTICAL
SIGHT TRIANGLE

PROPOSED 20' x 70' SIGHT TRIANGLE.
NO VEGETATION 30' TO 10' VERTICAL
SIGHT TRIANGLE

2.5' GRAVEL TRENCH
SEE DETAIL SD-10

TRACT 1
33,556 sq. ft.
0.77 acres

43,000 SF WITHIN LIMITS
OF DISTURBANCE

TREE PROTECTION FENCING
SEE LANDSCAPE PLAN

TRACT 2
50,476 sq. ft.
1.16 acres
FUTURE
DEVELOPMENT
NOT IN THIS
PROJECT

ADAMS STREET
60' RIGHT OF WAY

SOUTH CAROLINA AVE.
60' RIGHT OF WAY

GRADING DRAINAGE & EROSION CONTROL

SCALE 1" = 30'

NO WETLAND WITHIN PROJECT AREA

GRADING NOTES

- INITIATE EROSION CONTROL SEQUENCE BEFORE BEGINNING CLEARING, GRUBBING AND GRADING OPERATIONS.
- CLEAR AREAS TO BE GRADED OF ALL VEGETATION. PROTECT VEGETATION BEYOND GRADING LIMITS.
- STRIP TOPSOIL TO FULL DEPTH IN AREAS TO BE GRADED AND STOCKPILE.
- COMPACT ALL FILL AREAS TO 95% OF MAXIMUM DENSITY.
- ALL BANKS AND SWALE SIDE SLOPES SHALL BE GRADED WITH NO GREATER THAN 3:1 SLOPES.
- ALL AREAS ARE TO BE GRADED SO THAT NO AREAS OF STANDING WATER OCCUR.
- PROPOSED SPOT ELEVATIONS ARE SHOWN AT FINISHED GRADE.
- OPERATOR SHALL FIELD VERIFY EXISTING TOPOGRAPHY IN RELATION TO THE PROPOSED GRADES TO ENSURE DRAINAGE IN THE DIRECTIONS INDICATED ON THE PLAN.

CONSTRUCTION SEQUENCE

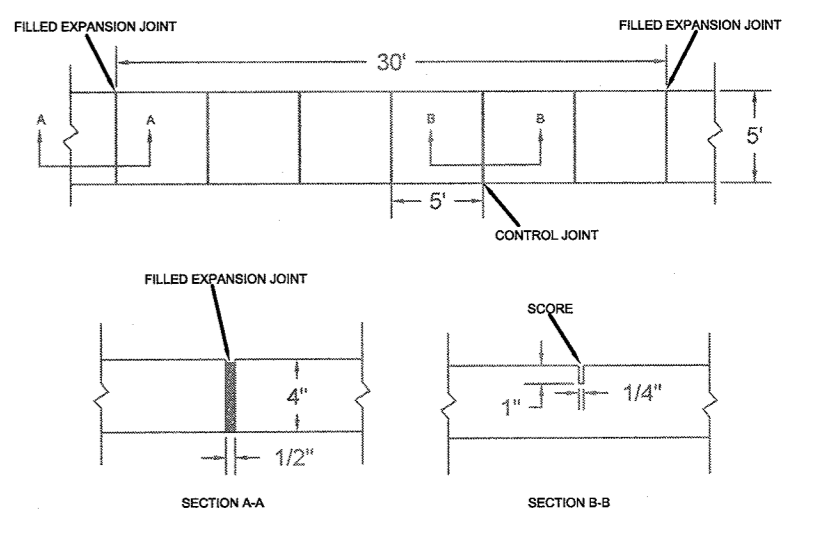
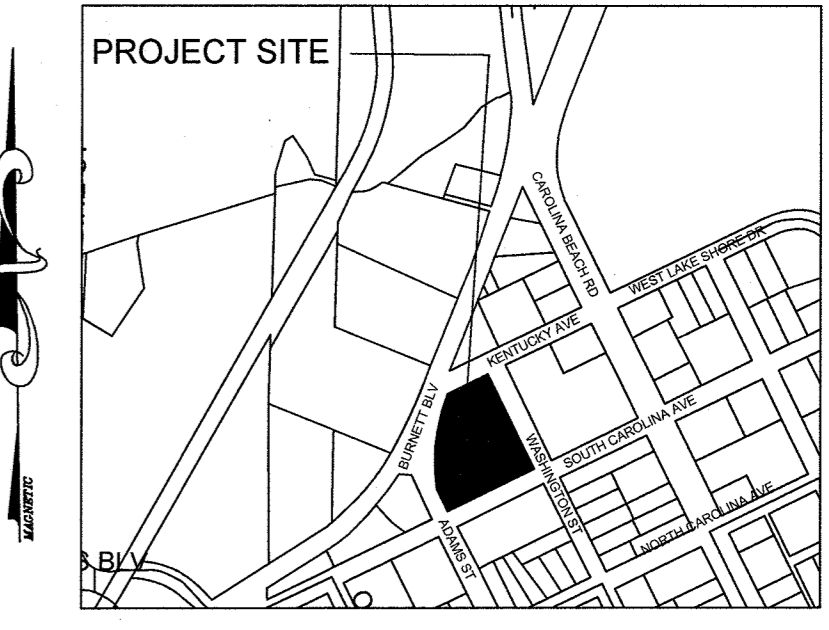
- OBTAIN ALL NECESSARY PERMIT APPROVALS PRIOR TO ANY LAND DISTURBING ACTIVITY.
- NO PRE-CONSTRUCTION MEETING WITH THE EROSION CONTROL INSPECTOR IS REQUIRED FOR THIS PROJECT.
- INSTALL GRAVEL CONSTRUCTION ENTRANCE AND SILT FENCE, COMMENCE CLEARING AND ROUGH GRADING OPERATIONS TO ESTABLISH DIVERSION SWALES AND SEDIMENT TRAPS AND BASIN.
- ROUGH GRADE SITE AND INSTALL UNDERGROUND UTILITIES.
- PROVIDE TEMPORARY PROTECTION MEASURES AND DEVICES AS REQUIRED UNTIL UNDERGROUND UTILITIES AND PAVEMENT SECTION IS COMPLETE AND FINAL GRADES ARE ESTABLISHED WITH TEMPORARY VEGETATIVE COVER.
- STABILIZE (FERTILIZE, SEED, AND MULCH) ALL DISTURBED AREAS AS SOON AS FINAL GRADES ARE ESTABLISHED.
- ONCE CONSTRUCTION IS COMPLETE AND ALL DISTURBED AREAS ARE STABILIZED, REMOVE TEMPORARY EROSION CONTROL MEASURES.

EROSION CONTROL MAINTENANCE PLAN

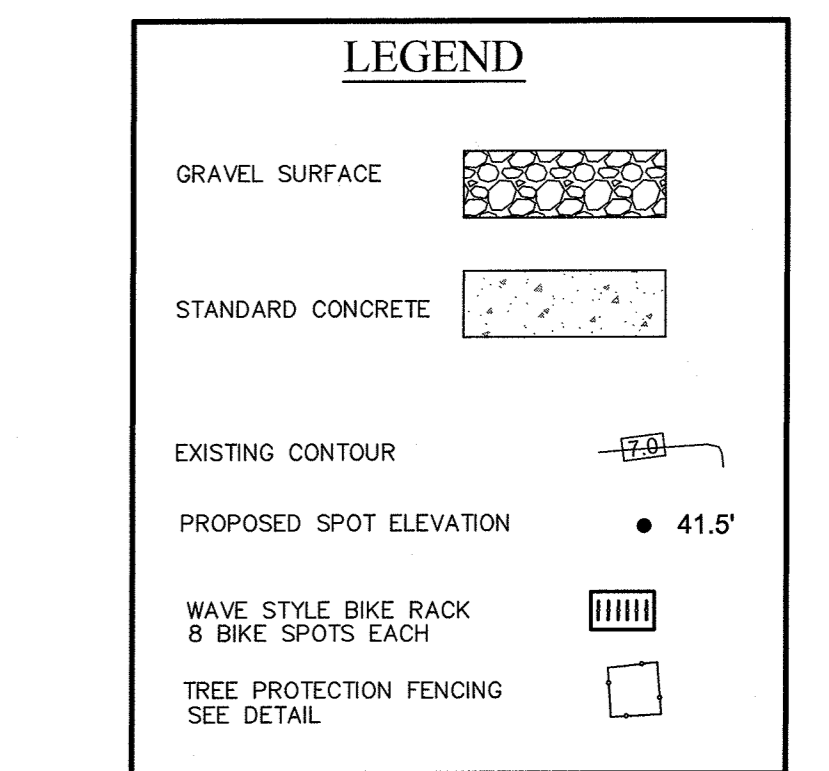
- ALL EROSION AND SEDIMENT CONTROL PRACTICES WILL BE CHECKED FOR STABILITY AND OPERATION FOLLOWING RUNOFF - PRODUCING RAINFALL BUT IN NO CASE LESS THAN ONCE EVERY WEEK. ANY NEEDED REPAIRS WILL BE MADE IMMEDIATELY TO MAINTAIN ALL PRACTICES AS DESIGNED.
- INSPECT SEDIMENT TRAPS AT LEAST WEEKLY AND AFTER EACH SIGNIFICANT RAINFALL EVENT AND REPAIR IMMEDIATELY. REMOVE SEDIMENT, AND RESTORE THE TRAP TO ITS ORIGINAL DIMENSIONS WHEN THE SEDIMENT HAS ACCUMULATED TO ONE-HALF THE DESIGN DEPTH OF THE TRAP. PLACE THE SEDIMENT THAT IS REMOVED IN DESIGNATED DISPOSAL AREA, AND REPLACE THE PART OF THE GRAVEL FACING THAT IS IMPAIRED BY SEDIMENT.
- SEDIMENT WILL BE REMOVED FROM BEHIND THE SEDIMENT FENCE WHEN IT BECOMES ABOUT 0.5 FEET DEEP AT THE FENCE. THE SEDIMENT FENCE WILL BE REPAIRED OR REPLACED AS NECESSARY TO MAINTAIN A BARRIER.
- ALL AREAS WILL BE FERTILIZED, RESEEDED AS NECESSARY, AND MULCHED ACCORDING TO SPECIFICATIONS IN THE VEGETATIVE PLAN TO MAINTAIN A VIGOROUS, DENSE VEGETATIVE COVER.
- GRAVEL CONSTRUCTION ENTRANCE TO BE CLEANED WHEN SEDIMENT ACCUMULATIONS ARE VISIBLE OR SEDIMENT IS DEPOSITED ON THE ASPHALT AND STONE WILL BE PERIODICALLY TOP DRESSED WITH 2 INCHES OF #4 STONE TO MAINTAIN 6 INCH DEPTH.
- INSPECT INLETS AT LEAST WEEKLY AND AFTER EACH SIGNIFICANT (1" OR GREATER) RAINFALL EVENT. CLEAR THE WIRE OF ANY DEBRIS OR OTHER OBJECTS TO PROVIDE ADEQUATE FLOW FOR SUBSEQUENT RAINS. TAKE CARE NOT TO DAMAGE OR UNDERCUT THE WIRE MESH DURING SEDIMENT REMOVAL. REPLACE STONE AS NEEDED.

EROSION CONTROL NOTES

- THIS PROJECT DOES NOT QUALIFY FOR A NHC S&E PERMIT. REGARDLESS CONTRACTOR SHALL FOLLOW GOOD PRACTICE TECHNIQUES.
- CONTRACTOR SHALL REMOVE ALL TREES AND VEGETATION WITHIN ROAD RIGHT OF WAYS UNLESS OTHERWISE DESIGNATED TO REMAIN.
- CONTRACTOR SHALL RAKE AND REMOVE ROOTS, STUMPS, VEGETATION, DEBRIS, EXISTING STRUCTURES ABOVE AND BELOW GRADE, ORGANIC MATERIAL OR ANY OTHER UNSUITABLE MATERIAL WITHIN THE LIMITS OF CONSTRUCTION.
- CONTRACTOR SHALL COORDINATE WITH OWNER AND THEIR GEOTECHNICAL REPRESENTATIVE TO COORDINATE REMOVAL OF ANY UNSUITABLE SOILS.
- CLEARED, GRUBBED, STRIPPED OR OTHER WASTE MATERIALS SHALL BE REMOVED FROM THE SITE AND DISPOSED OF IN A PROPERLY PERMITTED FACILITY.
- THE CONTRACTOR SHALL FURNISH ANY REQUIRED BORROW MATERIALS FROM A PROPERLY PERMITTED OFF-SITE FACILITY.
- ALL GRADED SLOPES MUST BE SEED AND MULCHED WITHIN 21 CALENDAR DAYS OF COMPLETION OF GRADING. STABILIZE AREAS OTHER THAN SLOPES WITHIN 15 WORKING DAYS OR 90 CALENDAR DAYS, WHICHEVER IS SHORTER.
- ADDITIONAL MEASURES TO CONTROL EROSION AND SEDIMENT MAY BE REQUIRED BY A REPRESENTATIVE OF THE COUNTY ENGINEERING DEPARTMENT.
- SLOPES SHALL BE GRADED NO STEEPER THAN 3:1.
- ADDITIONAL DEVICES MAY BE REQUIRED AS AGREED UPON BY THE FIELD INSPECTOR, ENGINEER, AND OWNER.
- IF ACTIVE CONSTRUCTION CEASES IN ANY AREA FOR MORE THAN 15 CALENDAR DAYS, ALL DISTURBED AREAS MUST BE SEED, MULCHED, AND TACKED.



- NOTES:**
- JOINT MATERIAL TO COMPLY WITH CURRENT NCDOT STANDARDS.
 - SANITARY SEWER CLEAN-OUTS, WATER METERS, MANHOLES, AND VALVE LIDS TO BE LOCATED OUTSIDE SIDEWALK WHERE FEASIBLE.
 - MINIMUM SIDEWALK WIDTH TO BE MINIMUM IF PLACED AT BACK OF CURB.
 - CONCRETE FOR ALL SIDEWALKS EXCEPT ANY PORTION CONTAIN WITHIN A DRIVEWAY APPROXIMATELY 30" TO 36" WIDE.
 - MINIMUM REPLACEMENT FOR REPAIRS IS A 6' X 6' PANEL.
 - STONE BASE MAY BE REQUIRED FOR POOR SOIL CONDITIONS.
 - MINIMUM DEPTH FOR FORMING AND BELOW REBAR IS 21"
 - MAX ADJACENT GROUND SLOPE WITHOUT BARRIERS IS 2:1.
 - MIN GRADE FOR PROPER DRAINAGE IS 1% IN AT LEAST 1 DIRECTION. MAX CROSS SLOPE IS 2%. MAX LONGITUDINAL SLOPE IS 0.3% UNLESS LIMITED BY EXISTING CONDITIONS. NO CURB TO BE SHOWN.

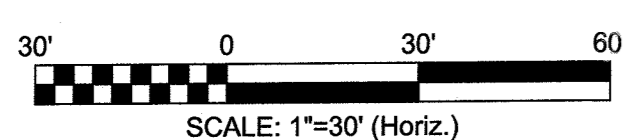


LABEL	1) GROUND STABILIZATION	STABILIZATION TIME FRAME	STABILIZATION TIME FRAME EXCEPTIONS
[Cross-hatch pattern]	SITE AREA DESCRIPTION	7 DAYS	NONE
	-PERIMETER DIKES, EROSIONS AND SLOPES	7 DAYS	NONE
	-HIGH QUALITY WATER (HOW) ZONES	7 DAYS	NONE
[Diagonal lines]	SLOPES STEEPER	7 DAYS	IF SLOPES ARE 10' OR LESS IN LENGTH AND ARE NOT STEEPER THAN 2:1 14 DAYS ARE ALLOWED
	SLOPES 3:1 OR FLATTER	14 DAYS	7 DAYS FOR SLOPES GREATER THAN 50 FEET IN LENGTH
[Dotted pattern]	-ALL OTHER AREAS WITH SLOPES FLATTER THAN 4:1	14 DAYS	NONE (EXCEPT FOR PERIMETERS AND HOW ZONES)

- 2) BUILDING WASTES HANDLING**
- NO PAINT OR LIQUID WASTES IN STREAM OF STORM DRAINS
 - DEDICATED AREAS FOR DEMOLITION, CONSTRUCTION AND OTHER WASTES MUST BE LOCATED 50' FROM STORM DRAINS AND STREAMS UNLESS NO REASONABLE ALTERNATIVES AVAILABLE.
 - EARTHEN MATERIALS STOCKPILES MUST BE LOCATED 50' FROM STORM DRAINS AND STREAMS UNLESS NO REASONABLE ALTERNATIVES AVAILABLE.
 - CONCRETE MATERIALS MUST BE CONTROLLED TO AVOID CONTACT WITH SURFACE WATERS, WETLANDS, OR BUFFERS.
- 3) INSPECTIONS**
- SAME WEEKLY INSPECTION REQUIREMENTS
 - SAME RAIN GAUGE & INSPECTIONS AFTER 0.5" RAIN EVENT
 - INSPECTIONS ARE ONLY REQUIRED DURING "NORMAL BUSINESS HOURS"
 - INSPECTION REPORTS MUST BE AVAILABLE ON-SITE DURING BUSINESS HOURS UNLESS A SITE-SPECIFIC EXEMPTION IS APPROVED
 - RECORDS MUST BE KEPT FOR 3 YEARS AND AVAILABLE UPON REQUEST
 - ELECTRONICALLY-AVAILABLE RECORDS MAY BE SUBSTITUTES UNDER CERTAIN CONDITIONS
- 4) SEDIMENT BASINS**
- OUTLET STRUCTURES MUST WITHDRAW FROM BASIN SURFACES UNLESS DRAINAGE AREA IS LESS THAN 1 ACRE
 - USE ONLY DWO-APPROVED FLOCCULANTS
- NPDES - SPECIFIC PLAN SHEET NOTES**
- THIS PAGE IS SUBMITTED TO COMPLY WITH NPDES GENERAL STORMWATER PERMIT NCD010000.
 - THIS PAGE CAN BE APPROVED BY THE COUNTY PURSUANT TO NPDES GENERAL STORMWATER PERMIT NCD010000 ONLY.
 - THIS PAGE OF THE APPROVED PLANS IS ENFORCEABLE EXCLUSIVELY PURSUANT TO NPDES GENERAL STORMWATER PERMIT NCD010000.
 - THE COUNTY IS NOT AUTHORIZED TO ENFORCE THIS PAGE OF THE PLANS AND THIS IS NOT PART OF THE APPROVED PLANS FOR THE PURPOSES OF ENFORCEMENT ACTION UNDER THE CITY CODE.

CURVE	ARC LENGTH	RADIUS	DELTA ANGLE	CHORD BEARING	CHORD LENGTH
C1	180.24'	436.07'	23°40'54"	S 15°26'18" W	178.96'
C2	122.17'	436.07'	16°03'06"	S 04°25'42" E	121.77'

NUMBER	DATE	REVISION
R3	1/26/17	RELEASED FOR CONSTRUCTION
R2	12/13/16	ADDRESSED 11/6/16 TRC COMMENTS
R1	10/19/16	SUBMITTED FOR TRC REVIEW



DESIGN BY: BDS
DRAWN BY: BDS
CHECKED BY: BDS
DATE: OCTOBER, 2016

**GRADING, DRAINAGE & EROSION CONTROL
UTILITY PLAN**

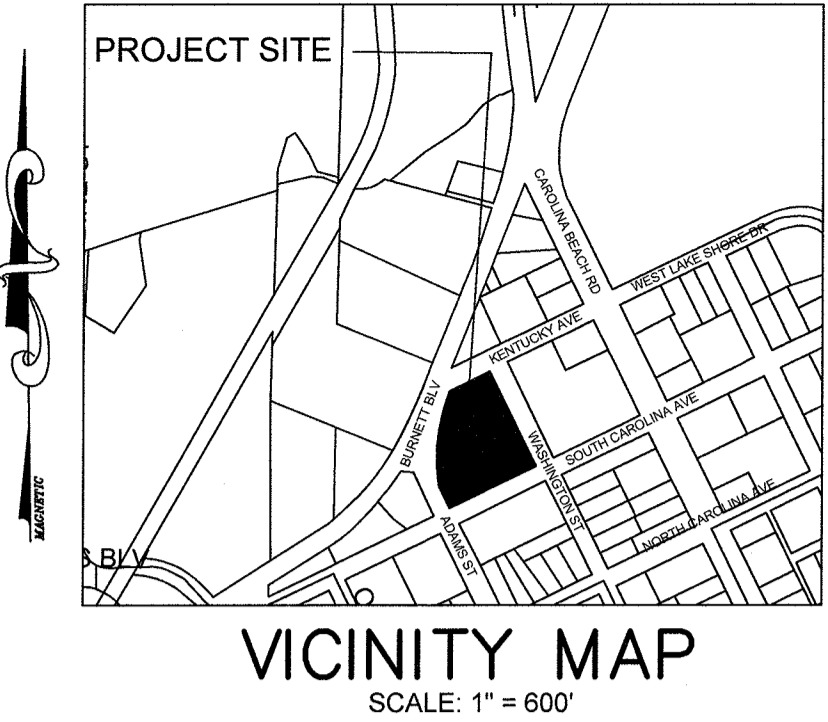
CARTIER CONSTRUCTION, INC
WALT CARTIER
PO BOX 980
WRIGHTSVILLE BEACH, NC 28480

JBS CONSULTING, PA
7332 Coatesworth Drive
Wilmington, NC 28405
(910) 619-9990
License Number C-2525
PROJECT MANAGEMENT

SHEET
C2
of 6
JOB NO. 109-001

Approved Construction Plan
 Planning Name Date 1/31/17
 Traffic 1-3-17
 Fire 1-3-17

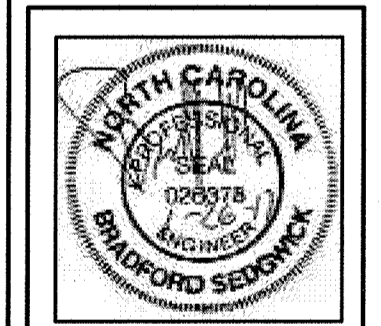
CITY OF WILMINGTON
 NORTH CAROLINA
 Public Services • Engineering Division
 APPROVED PLAN - NO PERMIT REQUIRED
 Signed: 1/27/17



DESIGNED BY: BJS
 DRAWN BY: BJS
 CHECKED BY: BJS
 DATE: OCTOBER, 2016

GRADING, DRAINAGE & EROSION CONTROL
 LANDSCAPE PLAN
 DRAM TREE TAVERN
 302 KENTUCKY AVENUE
 WILMINGTON, NC 28401

CARTIER CONSTRUCTION, INC
 WALT CARTIER
 PO BOX 980
 WRIGHTSVILLE BEACH, NC 28480



JBS CONSULTING, PA
 7332 Colesworth Drive
 Wilmington, NC 28405
 (910) 619-9980
 License Number C-2525
 PROJECT MANAGEMENT
 PLANNING - ENGINEERING

SHEET
 C3
 JOB NO. 109-001

LANDSCAPE DATA

STREET YARD LANDSCAPING
 PRIMARY - BURNETT BLVD
 180' X 25' = 4,500 SF REQUIRED
 400%00 = 8 (8 CANOPY TREE + 48 12" SHRUBS)
 USE 7 NEW WILLOW OAKS AND CREDIT FOR EX. PECAN TREE
 SECONDARY - KENTUCKY AVENUE
 140' X 25 X 50% = 1,750 SF REQUIRED
 175%00 = 3 (3 CANOPY TREES + 18 12" SHRUBS)
 SECONDARY - WASHINGTON
 170' X 25 X 50% = 2,125 SF
 212%00 = 4 (4 CANOPY TREES + 24 12" SHRUBS)

PARKING LOT LANDSCAPING
 PARKING LOT SHADING WILL BE ACCOMPLISHED WITH PROPOSED TREES SHOWN ON PLAN. PER COW CRITERIA THE PARKING LOT SHALL HAVE A 20% SHADING COVERAGE.
 PARKING & ISLES ON SITE EQUAL 7,183 SF X 20% = 1,437 SF
 SHADING FROM PROPOSED TREES 7 WILLOW OAKS + 2 EXISTING WITH 10' RADIUS = 314 SF X 9 = 2,826 SF OF SHADING. MEETS ORDINANCE.

PERIMETER LANDSCAPING - PERIMETER PLANTING AROUND ENTIRE PARKING LOT. 100% OPACITY TO 3' IN HEIGHT.
 FOUNDATION PLANTINGS
 HEIGHT X WIDTH X 12%
 12' X 95' X 12% = 137 SF REQUIRED
 631 SF PROVIDED

PLAN SHOWS PROPOSED PLANTINGS. SHRUBS OTHER THAN SHOWN MAY BE SUBSTITUTED WITH SELECTIONS FROM THE APPROVED PLANTING LIST AS SHOWN IN THE MOST CURRENT COW TECHNICAL STANDARDS AND SPECIFICATIONS MANUAL.

BUFFER YARDS
 NOT APPLICABLE FOR THIS PROJECT

GROUND COVER
 ALL ISLANDS SHALL BE PLANTED WITH GROUND COVER PLANTING SHOWN IN THE APPROVED PLANT LIST MENTIONED ABOVE OR PINE STRAW/MULCH

LANDSCAPE NOTES

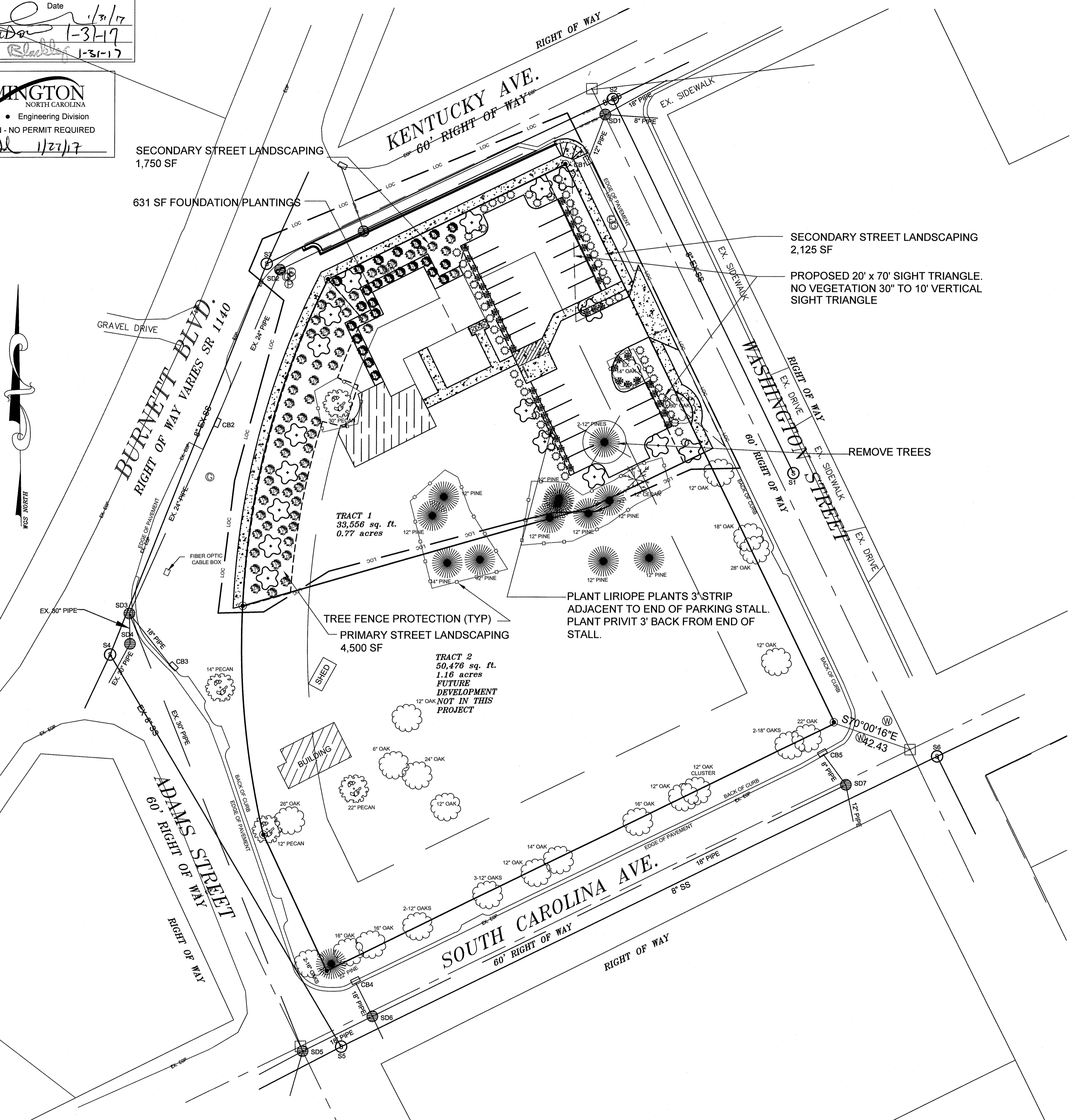
- ALL PLANTED AND RETAINED LIVING MATERIAL REQUIRED TO MEET THE PROVISIONS OF THE CITY OF WILMINGTON, LAND DEVELOPMENT CODE, SHALL BE PERPETUALLY PROTECTED AND MAINTAINED, TO PROFESSIONALLY ACCEPTED STANDARDS BY JOINT AND SEVERAL RESPONSIBILITY OF THE OWNER, OCCUPANTS, TENANT AND RESPECTIVE LIVE AGENTS OF THE PROPERTY ON WHICH THE MATERIAL IS LOCATED.
- LANDSCAPING SHOWN IS MINIMAL AMOUNT OF LANDSCAPING PER THE UMX ZONING. OWNER WILL PLANT MORE MATERIAL IN LANDSCAPE BEDS AS SHOWN.
- INSTALL TREE PROTECTION AT A RATE OF 1' OF FENCING PER 1" DIA AT DBH.

LANDSCAPE SCHEDULE

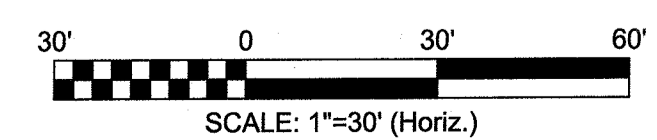
Scientific Name	Common Name	Size	Symbol	Quantity
QUERCUS PHELLOS	WILLOW OAK	Min 2" Caliper	☼	15
ILEX VOMITORIA	DWARF YEW/HOLLY	9 gallon shrub	●	40
PIRISOPORUM TORBA	DWARF PIRISOPORUM	9 gallon shrub	●	40
VALEXAESTRUM	COMMON PRYEST	7 gallon 5' HT	☼	50
LIRIOPE MUSCARI	LIRIOPE, PEAVILLE	1-GALLON	☼	55

LEGEND

GRAVEL SURFACE	
STANDARD CONCRETE	
EXISTING CONTOUR	
PROPOSED SPOT ELEVATION	• 41.5'
WAVE STYLE BIKE RACK	
TREE PROTECTION FENCING	
SEE DETAIL	



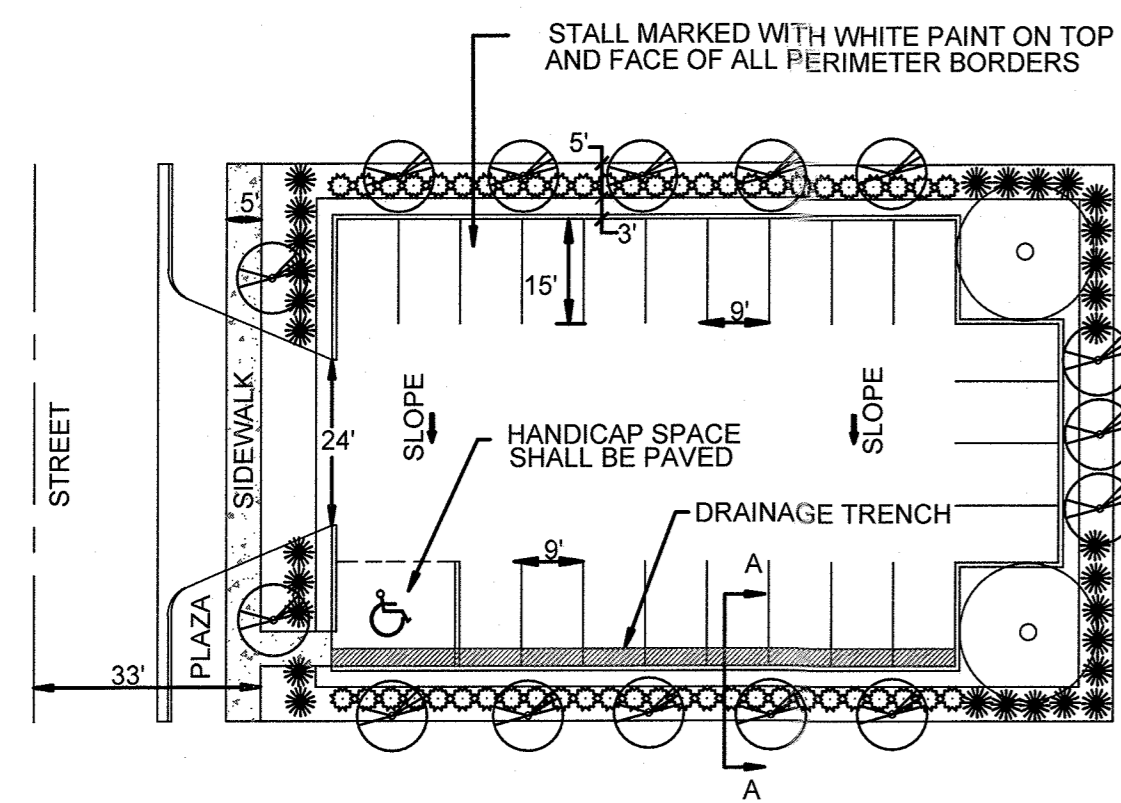
**GRADING DRAINAGE & EROSION CONTROL
 LANDSCAPE**
 SCALE 1" = 30'



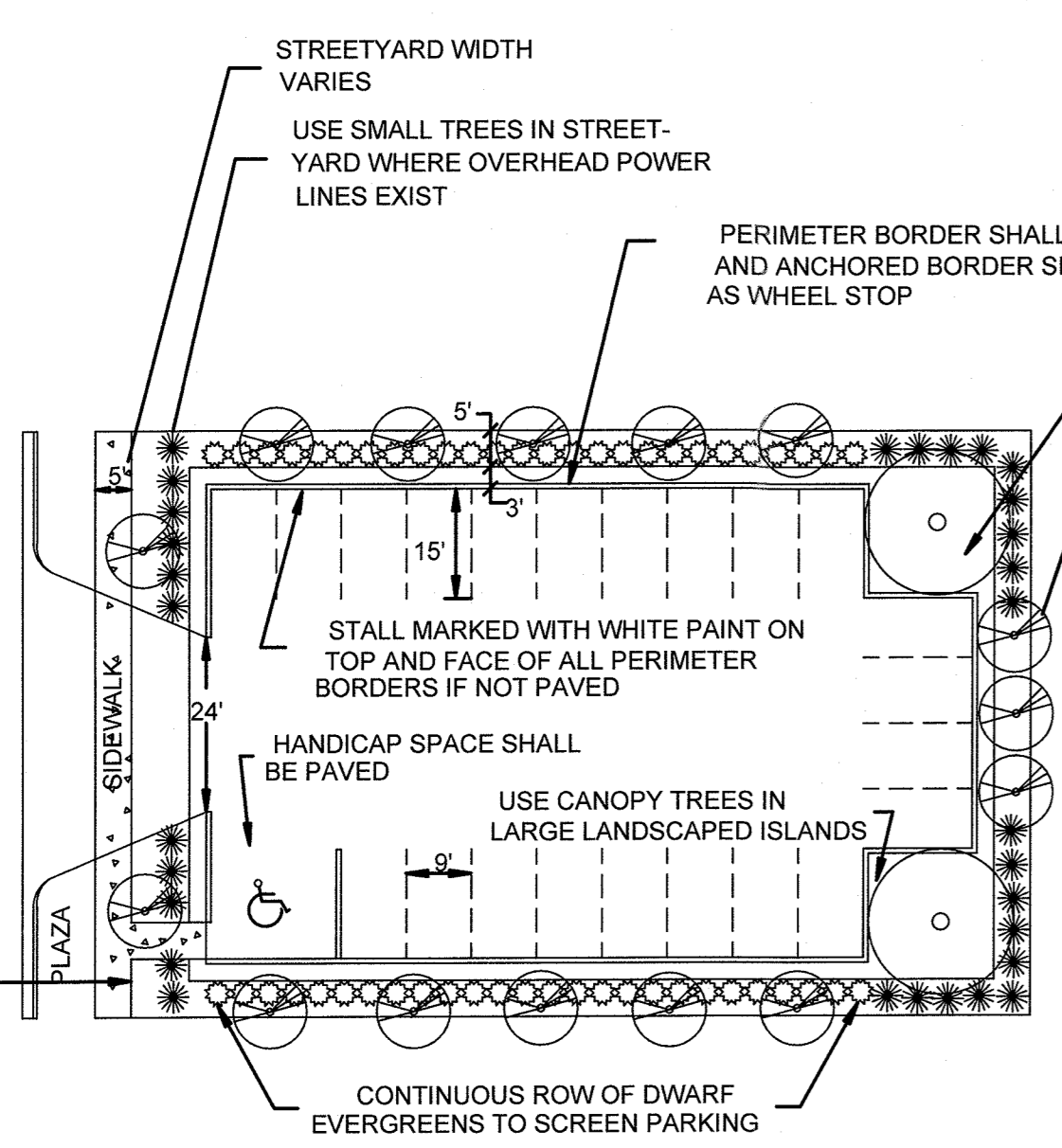
NO WETLAND WITHIN PROJECT AREA

NUMBER	DATE	REVISION
R3	1/26/17	RELEASED FOR CONSTRUCTION
R2	12/13/16	ADDRESSED 11/4/16 TRC COMMENTS
R1	10/19/16	SUBMITTED FOR TRC REVIEW





TYPICAL UNPAVED PARKING FACILITY UNDER 25 STALLS
SCALE: NTS
SD 15-10



STANDARD DETAIL PARKING FACILITY UNDER 25 STALLS PAVED OR UNPAVED
SCALE: NTS
SD 15-11

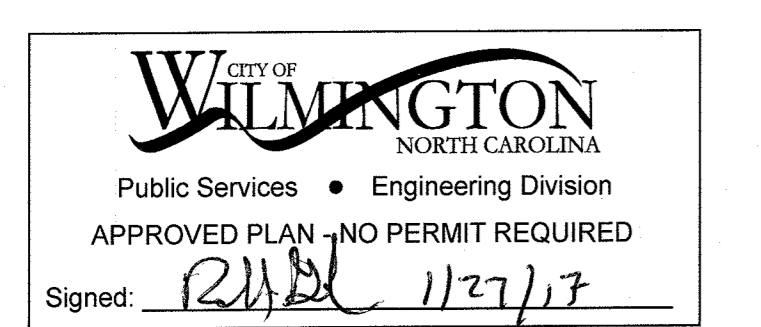
Approved Construction Plan

Name: _____ Date: 1/7/17

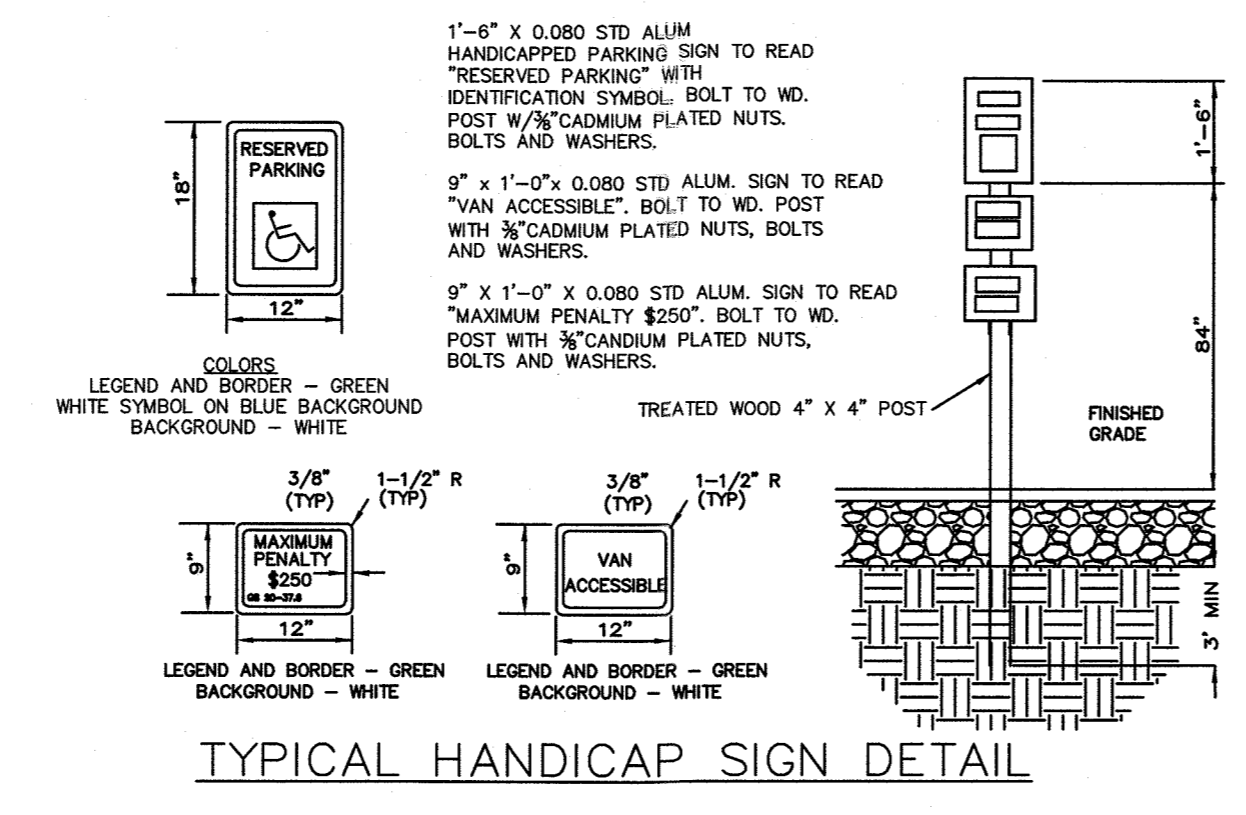
Planning: _____ 1-31-17

Traffic: _____

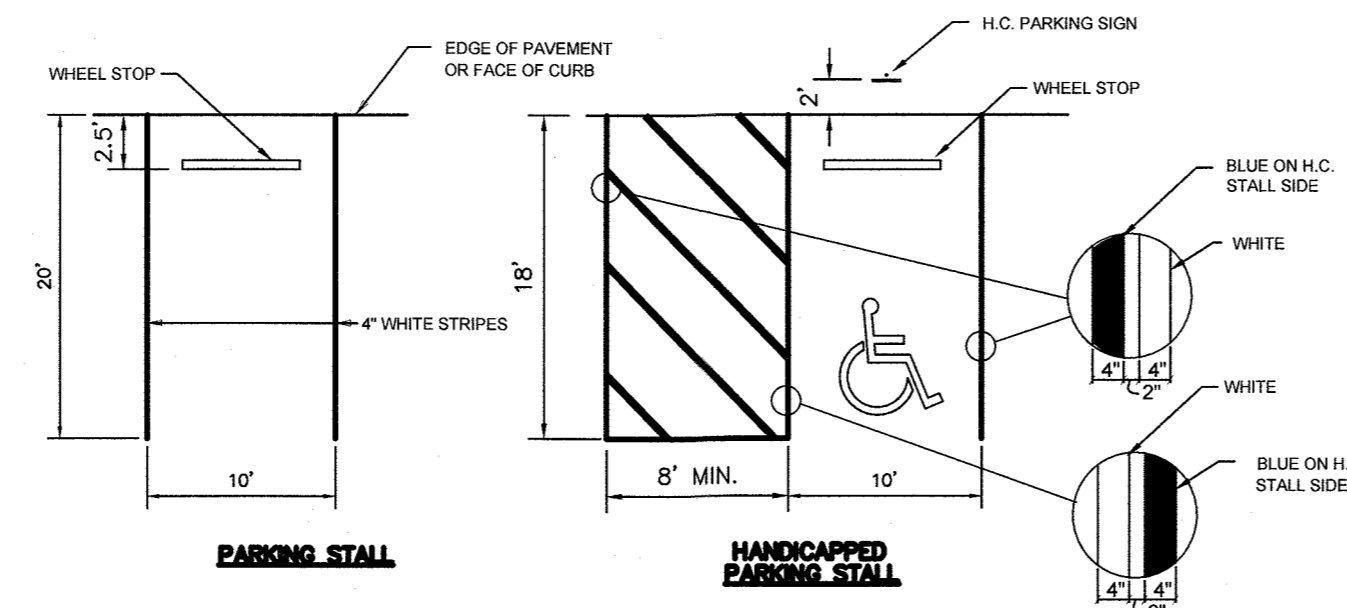
Fire: _____ 1-31-17



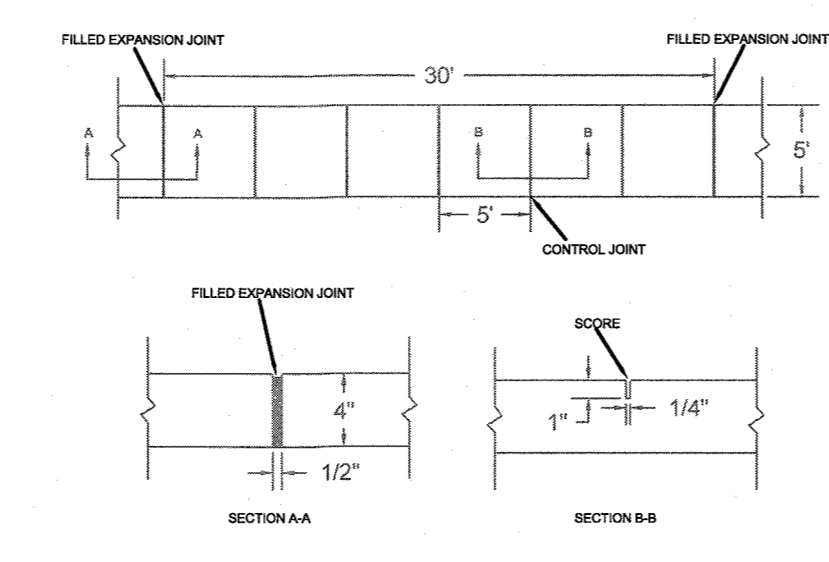
NUMBER	DATE	REVISION
R3	1/26/17	RELEASED FOR CONSTRUCTION
R2	12/13/16	ADDRESSSED 11/4/16 TRC COMMENTS
R1	10/19/16	SUBMITTED FOR TRC REVIEW



TYPICAL HANDICAP SIGN DETAIL

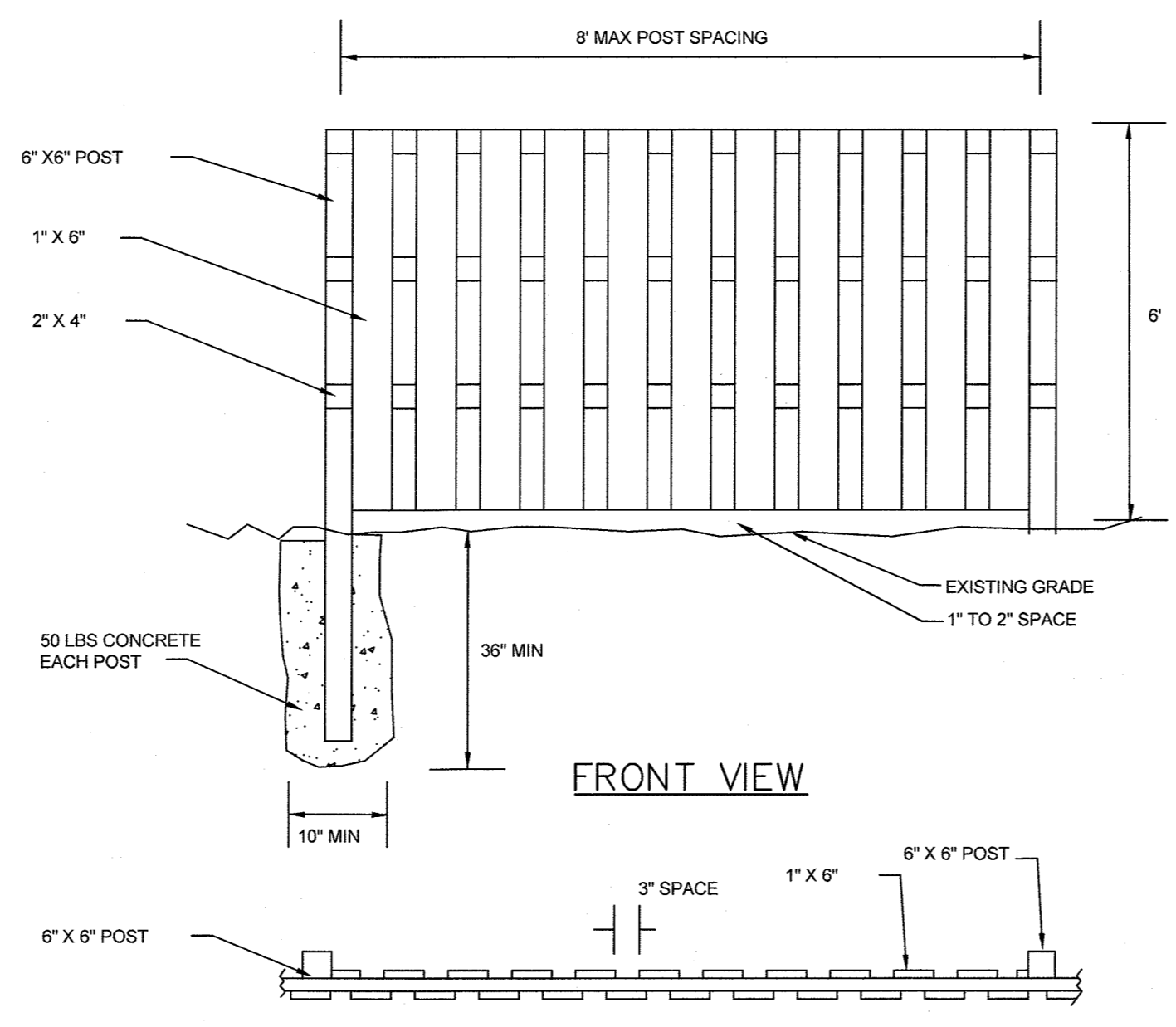


PARKING DETAIL
NOT TO SCALE

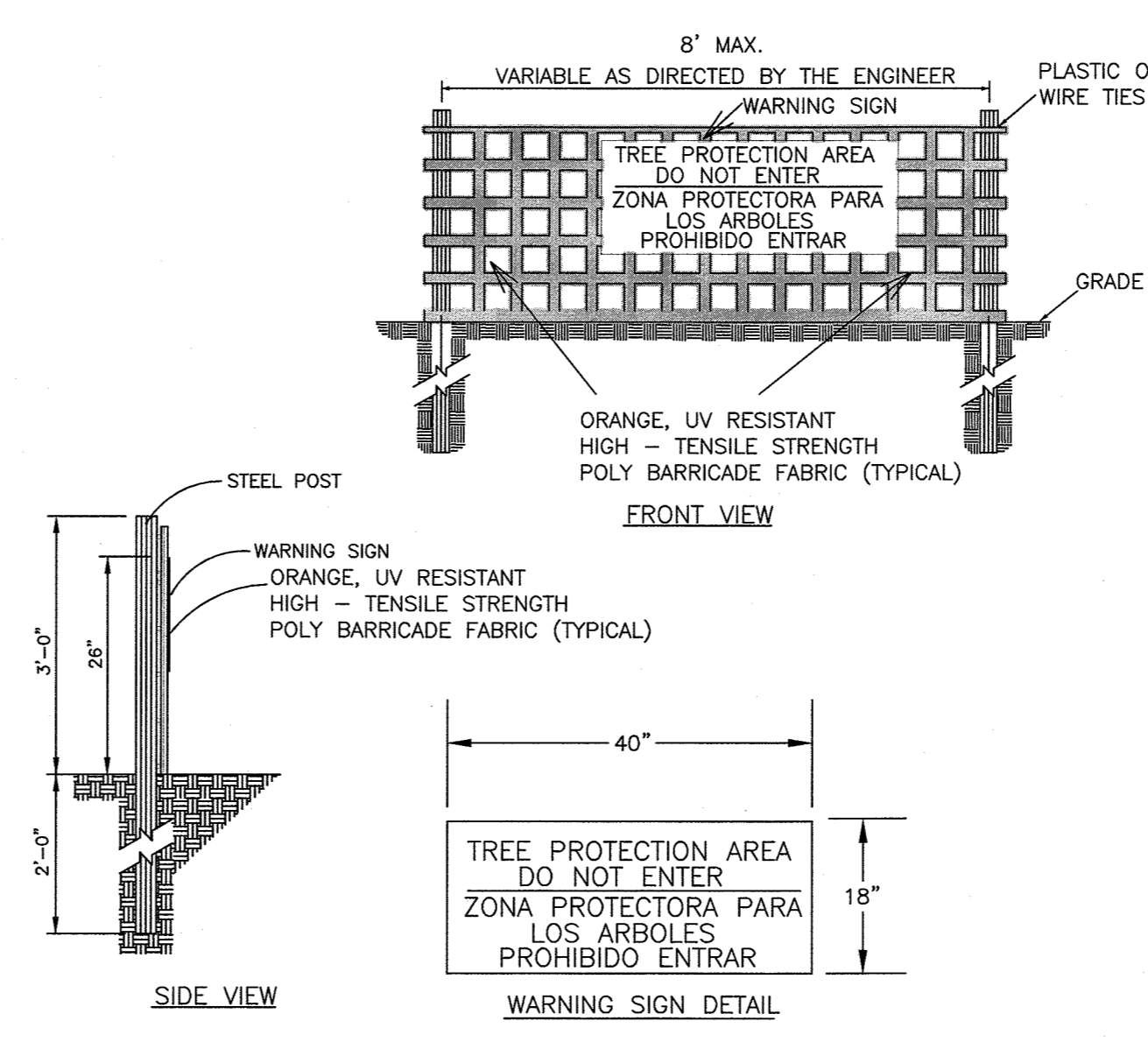


CONCRETE WALK SECTION
SCALE: SD 15-10

- 1. JOINT MATERIAL TO COMPLY WITH CURRENT AASHTO STANDARDS.
- 2. SANITARY GROUND CLEAN-OUTS, WATER METERS, MANHOLES, AND VALVE LBS TO BE LOCATED OUTSIDE SIDEWALK WHERE FEASIBLE.
- 3. MINIMUM SIDEWALK WIDTH TO BE 6' MINIMUM IF PLACED AT BACK OF CURB.
- 4. CONCRETE SHALL BE REINFORCED EXCEPT ANY PORTION CONTAIN WITHIN A DRIVEWAY.
- 5. MINIMUM REINFORCEMENT FOR REPAIRS IS A 2" X 8" PANEL.
- 6. 4" STONE BASE MAY BE REQUIRED FOR POOR SOIL CONDITIONS.
- 7. MINIMUM DEPTH FOR TUNNELING BELOW SIDEWALK IS 12".
- 8. MAX ADJACENT GROUND SLOPE WITHOUT RAILING IS 2:1.
- 9. MAX GRADE FOR PROPOSED DRAINAGE IS 1% IN AT LEAST 1 DIRECTION; MAX CROSS SLOPE IS 2%. MAX LONGITUDINAL SLOPE IS 3%. SLOPE SHALL BE LIMITED BY EXISTING CONDITIONS, OR NO GREATER THAN THE SLOPE OF THE ADJACENT ROAD.



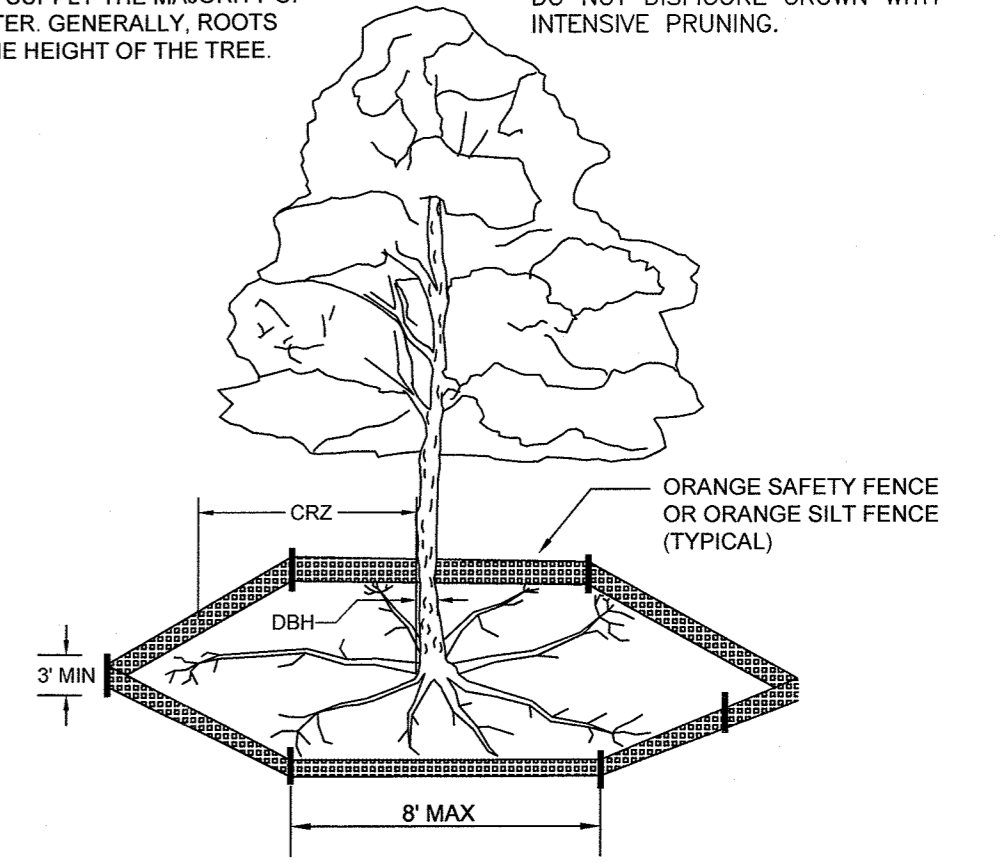
SHADOW BOX FENCE DETAIL
N.T.S.



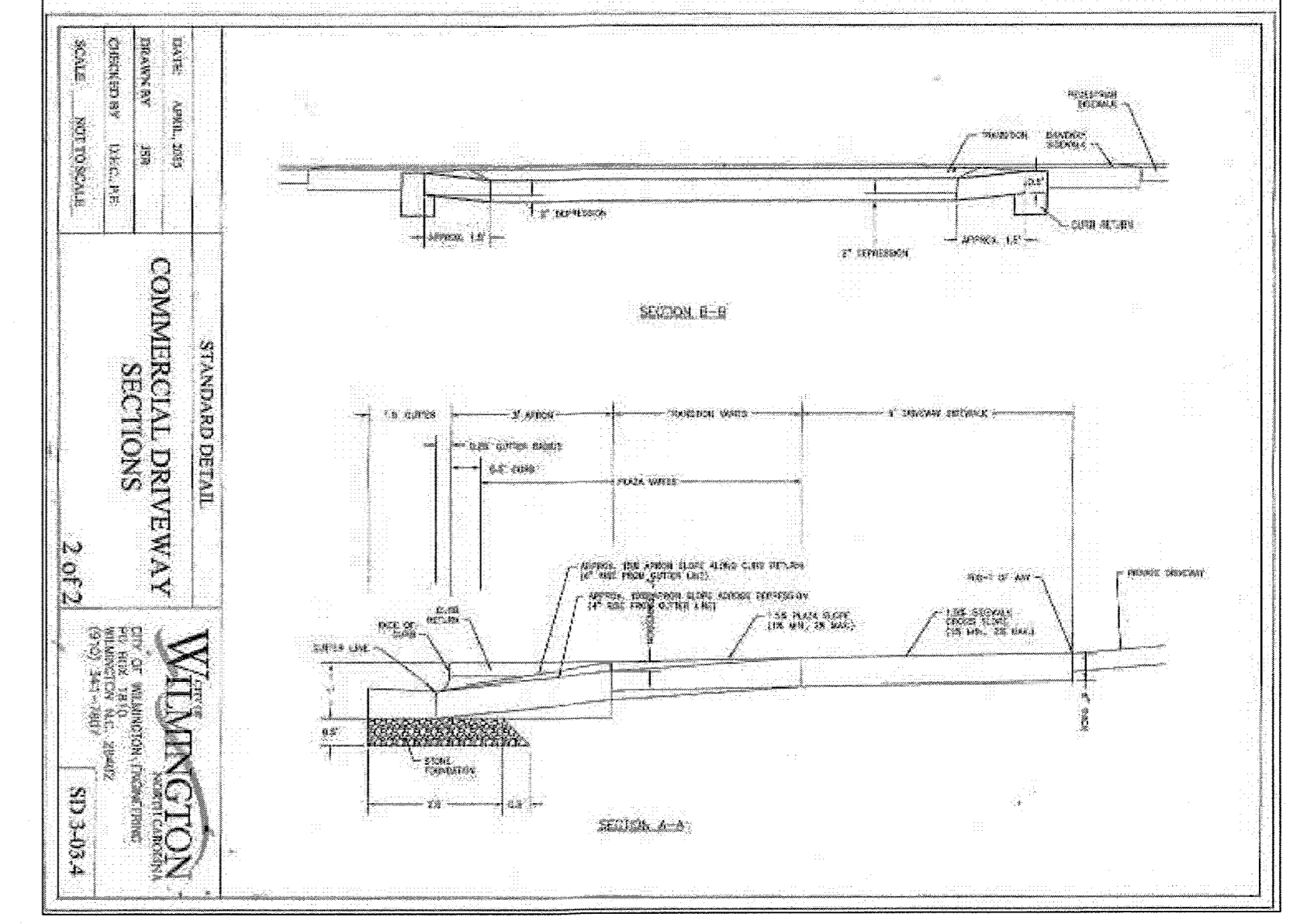
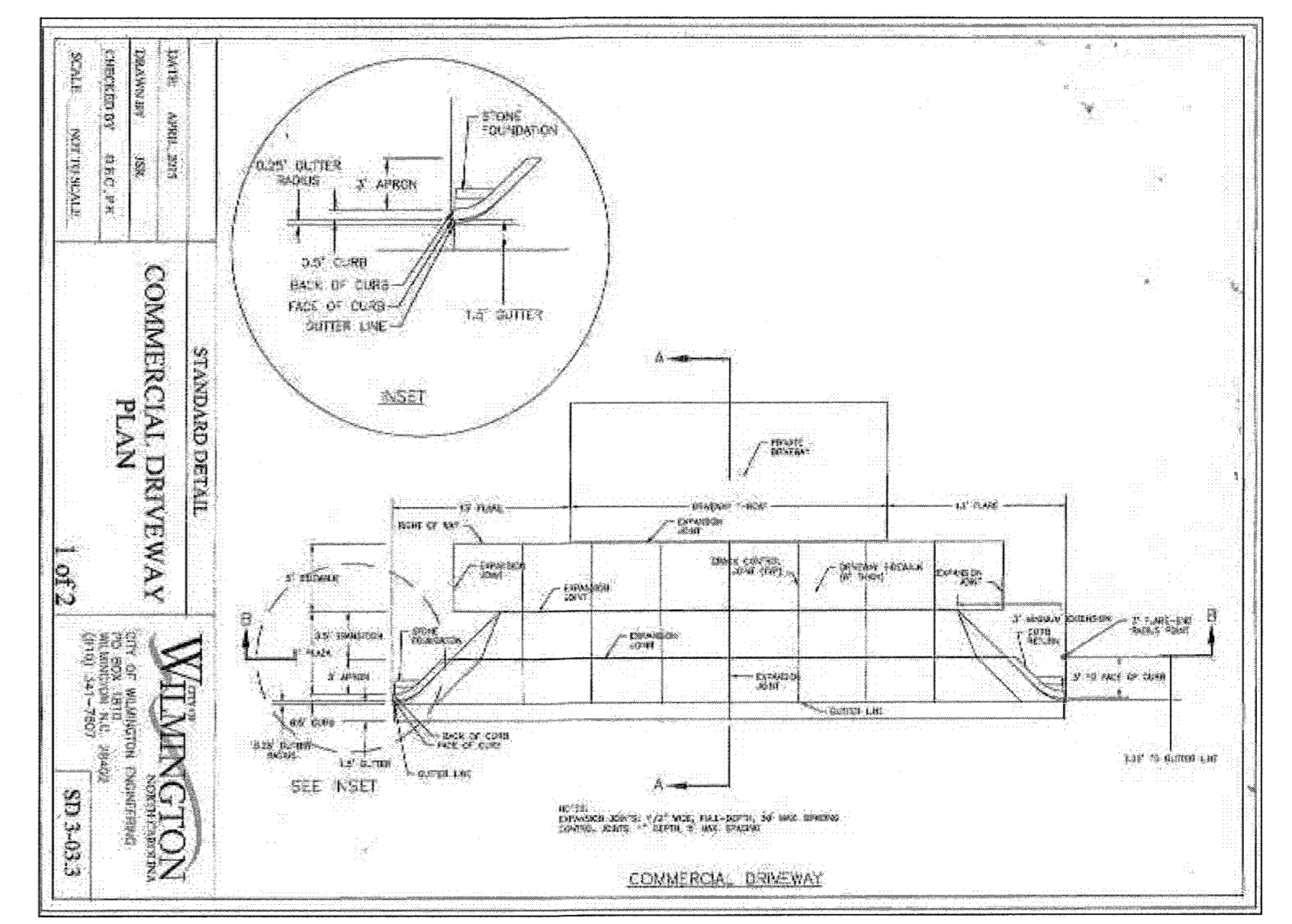
- NOTES:**
1. THE TREE PROTECTION FENCING SHALL NOT BE VIOLATED FOR THE ENTIRE DURATION OF THE PROJECT WITHOUT APPROVAL FROM URBAN FORESTRY STAFF.
 2. WARNING SIGNS TO BE MADE OF DURABLE, WEATHERPROOF MATERIAL. LETTERS TO BE 3" HIGH, MINIMUM, CLEARLY LEGIBLE AND SPACED AS DETAILED.
 3. SIGNS SHALL BE PLACED AT 50' MAXIMUM INTERVALS. PLACE A SIGN AT EACH END OF LINEAR TREE PROTECTION AND 50' ON CENTER THEREAFTER. FOR TREE PROTECTION AREAS LESS THAN 100' IN PERIMETER, PROVIDE NO LESS THAN TWO SIGNS PER PROTECTION AREA.
 4. ATTACH SIGNS SECURELY TO FENCE POSTS AND FABRIC. MAINTAIN TREE PROTECTION FENCE AND SIGNS THROUGHOUT DURATION OF PROJECT.
 5. TREE PROTECTION FENCING AND SIGNAGE SHALL BE REMOVED AFTER CONSTRUCTION.
 6. ADDITIONAL SIGNS MAY BE REQUIRED BY CITY OF WILMINGTON, BASED ON ACTUAL FIELD CONDITIONS.

TREE PROTECTION DURING CONSTRUCTION

NOTE: THE CRITICAL ROOT ZONE (CRZ) OF A TREE IS WHERE THE MAJORITY OF A TREE'S ROOTS LAY. 85% OF MOST TREE ROOTS ARE FOUND IN THE TOP 24" OF THE SOIL AND SUPPLY THE MAJORITY OF NUTRIENTS AND WATER GENERALLY. ROOTS SPREAD OUT 2-3X THE HEIGHT OF THE TREE.



- NOTES:**
1. PROTECT CRITICAL ROOT ZONE (CRZ) OF TREES PRIOR TO CONSTRUCTION. CLEARLY MARK THE TREES AND ERRECT A PROTECTIVE BARRIER AT THE CRZ. BARRIER SHALL BE MAINTAINED UNTIL CONSTRUCTION IS COMPLETE.
 2. CRZ RADIUS IS 1 FT PER INCH OF TREE DIAMETER AT BREAST HEIGHT (DBH).
 3. IF CONSTRUCTION OCCURS WITHIN THE CRZ, AT LEAST 12" OF MULCH AND/OR LOGGING MATS SHALL BE PLACED WHERE MACHINERY MANEUVERS TO REDUCE SOIL COMPACTION IN THIS ZONE.
 4. WHERE SIDEWALKS AND PATHWAYS PASS WITHIN CRZ, EXTRA CARE SHALL BE TAKEN TO AVOID DAMAGE TO THE ROOTS. ALTERNATE CONSTRUCTION METHODS, SUCH AS A REINFORCED SIDEWALK, SHALL BE IMPLEMENTED AS NECESSARY.
 5. FOR ALL TREES, CUTTING OF LARGE STRUCTURAL ROOTS LOCATED NEAR THE BASE OF THE TRUNK IS PROHIBITED. DO NOT COMPACT SOIL BENEATH TREES. NO VEHICLE SHALL BE ALLOWED TO PARK UNDER TREES. NO MATERIALS OR EQUIPMENT SHALL BE STORED BENEATH TREES. DAMAGING THE BARK WITH LAWNMOWERS, CONSTRUCTION EQUIPMENT, OR ANYTHING ELSE IS PROHIBITED. CONTRACTOR SHALL REPAIR DAMAGE TO TREES.
 6. FAILING TO INSTALL OR MAINTAIN PROTECTION MEASURES SHALL RESULT IN A STOP WORK ORDER AND FINE OF \$500/DAY. DISTURBANCE OTHER THAN THAT ALLOWED ON THE APPROVED PLAN WILL REQUIRE OWNER TO POST A LETTER OF CREDIT FOR 3 YRS FOR TREE MITIGATION.



DESIGN BY: BDS
DRAWN BY: BDS
CHECKED BY: BDS
DATE: OCTOBER, 2016

DETAILS

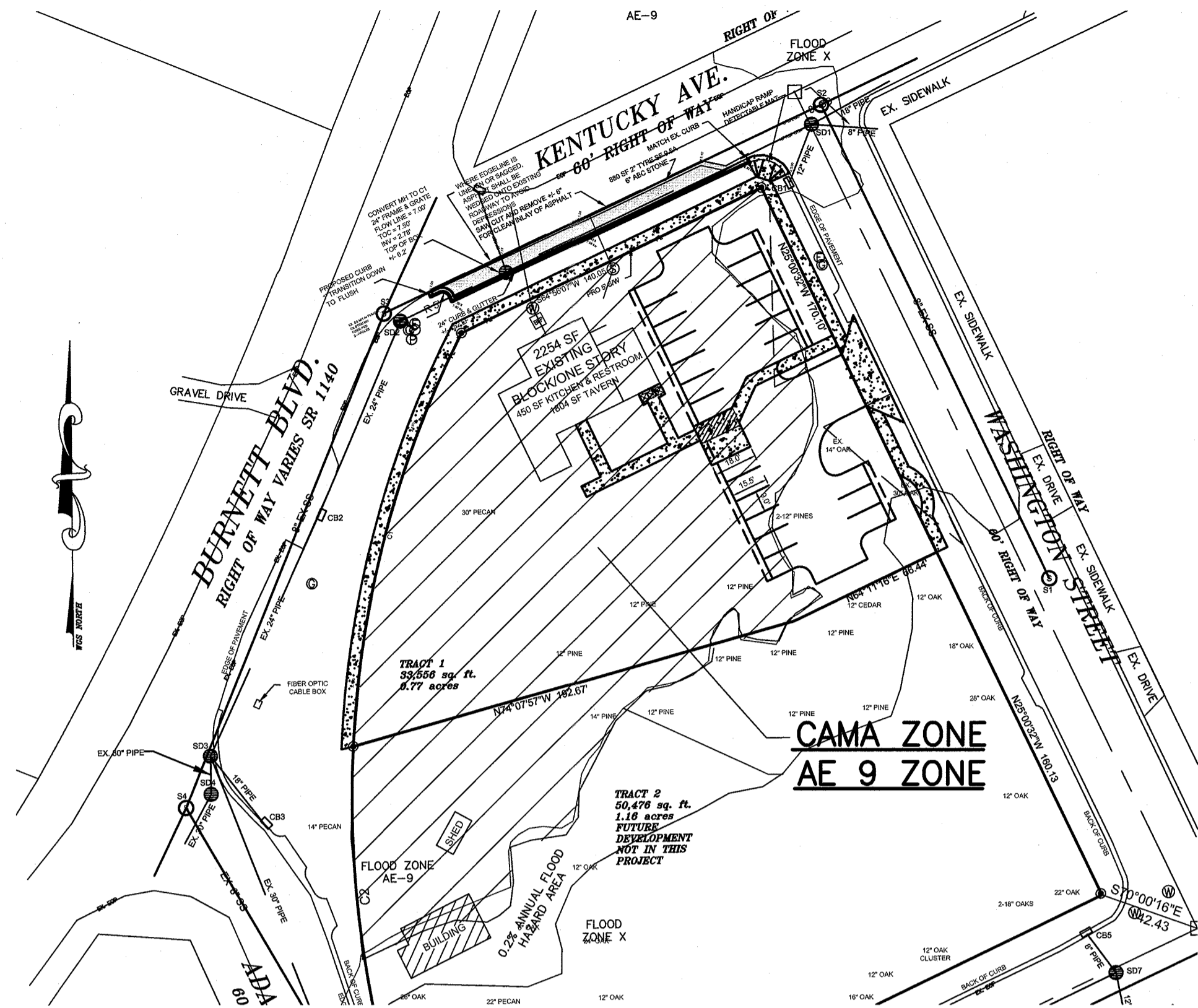
CARTIER CONSTRUCTION, INC
WALT CARTIER
PO BOX 980
WRIGHTSVILLE BEACH, NC 28480

JBS CONSULTING, PA
7332 Coferworth Drive
Wilmington, NC 28405
(910) 619-9990
License Number C-2525
PLANNING - ENGINEERING - PROJECT MANAGEMENT

WILMINGTON
NORTH CAROLINA
PUBLIC SERVICES • ENGINEERING DIVISION
APPROVED PLAN - NO PERMIT REQUIRED
Signed: [Signature] 1/27/17

SD 3-03.3
SD 3-03.4

SD 109-001



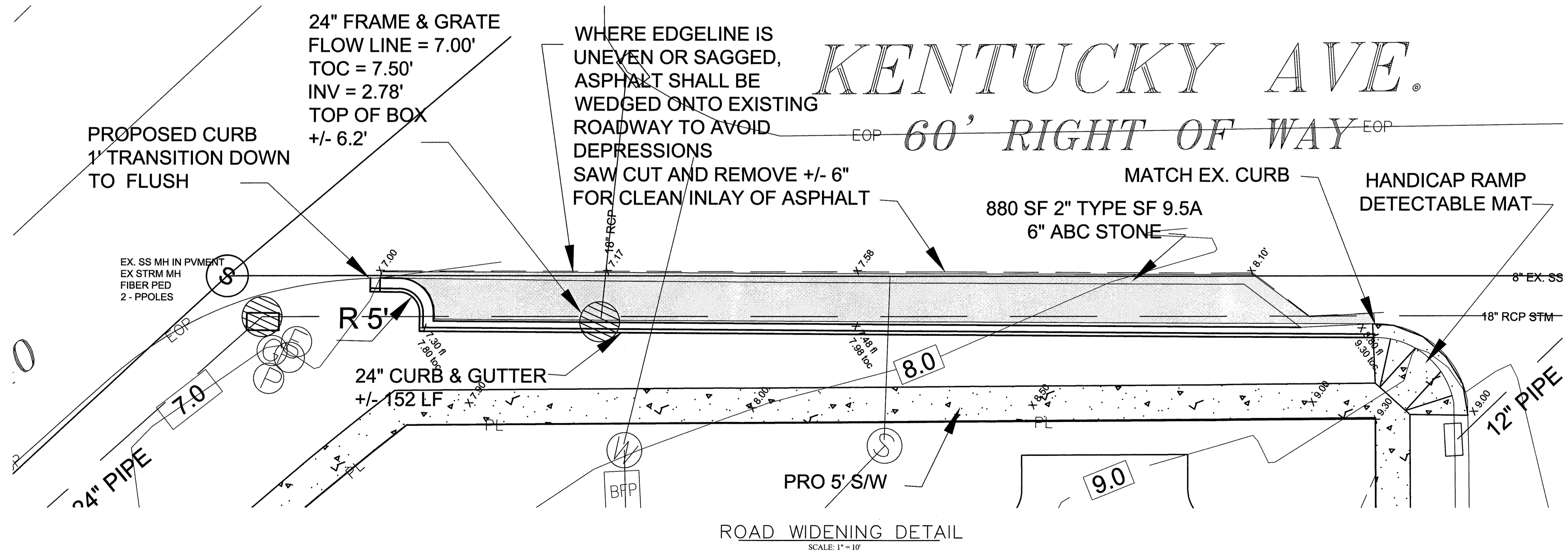
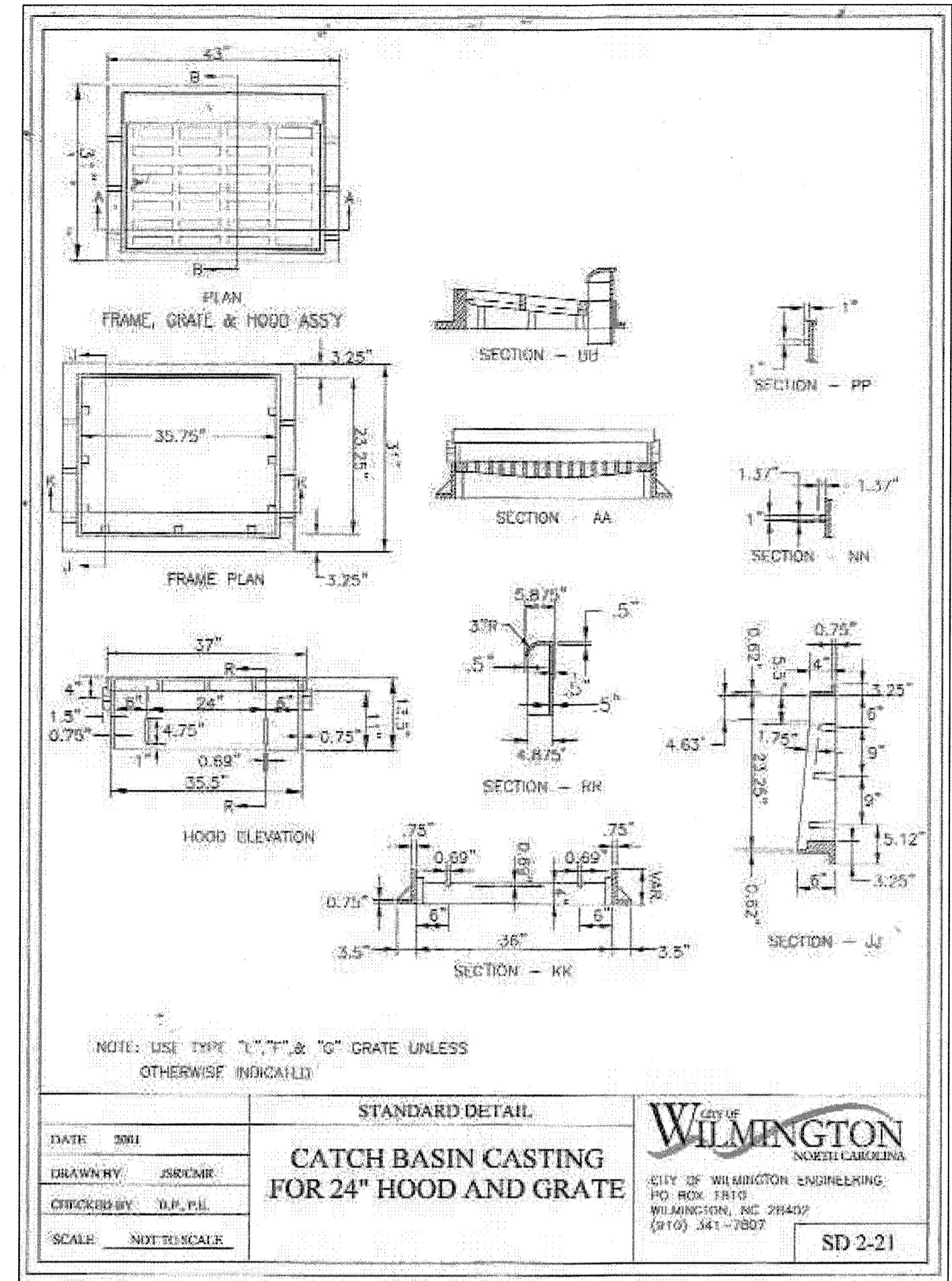
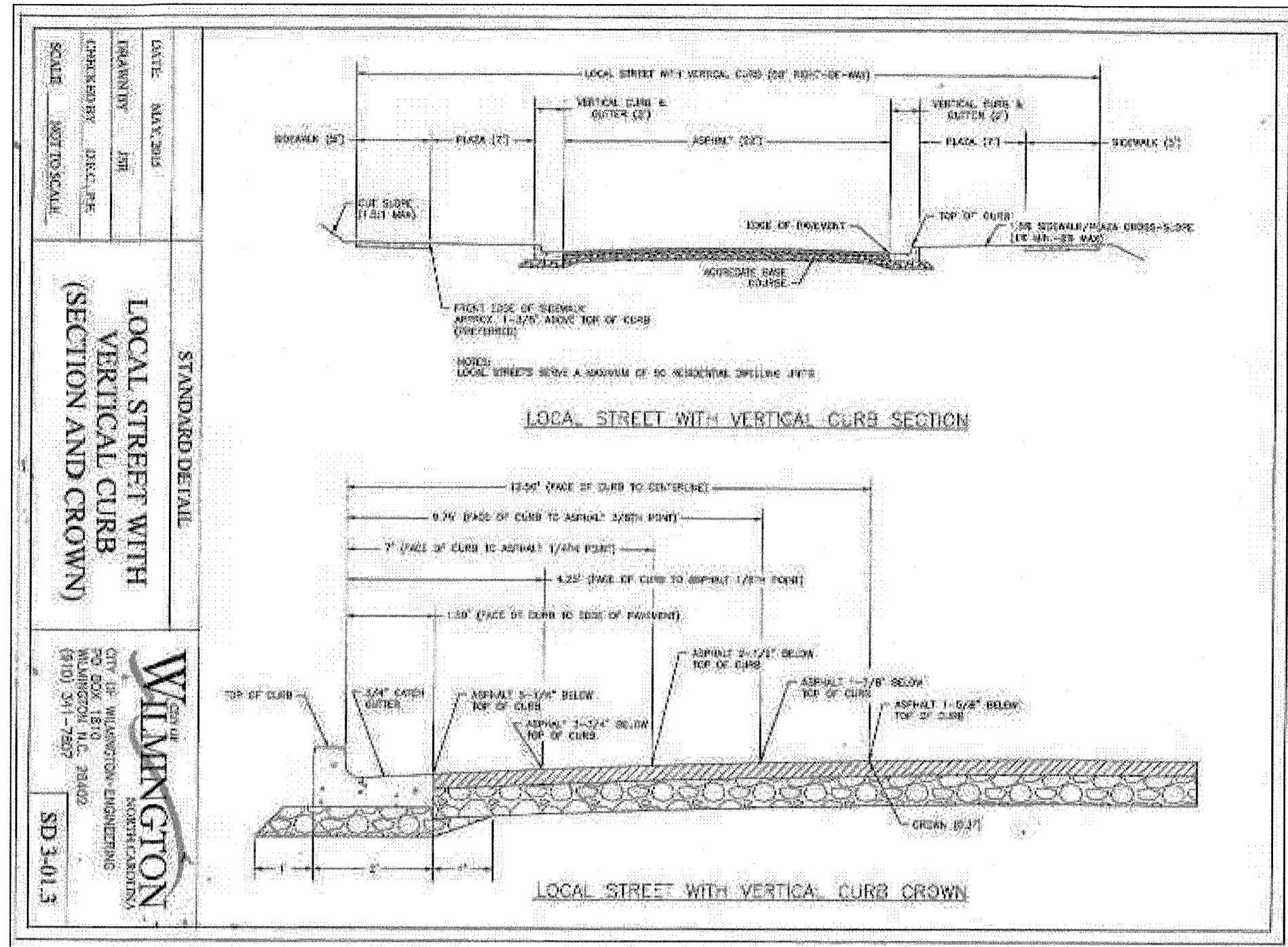
CAMA DATA

TRACT #1	= 33,556 SF
CAMA AREA IN TRACT #1	= 27,748 SF
BUA IN CAMA ZONE	= 2,254 SF - BUILDING
	= 993 SF - CONCRETE SIDEWALK
TOTAL	= 3,247 SF

NOTE: PER COW ENGINEERING PARKING LOT IS CONSIDERED 100% IMPERVIOUS. SEE ENGINEERING COMMENT.

BUA IN CAMA ZONE = 3,247/27,748 = 11.7 %

CAMA AREA MAP
SCALE: 1" = 50'



Approved Construction Plan

Name	Date
Planning	1/31/17
Traffic	1-31-17
Fire	1-3-17

CITY OF WILMINGTON
NORTH CAROLINA
Public Services • Engineering Division
APPROVED PLAN - NO PERMIT REQUIRED
Signed: [Signature] 1/22/17

NUMBER	DATE	REVISION
R3	1/26/17	RELEASED FOR CONSTRUCTION
R2	1/21/17	ADDRESSED 11/4/16 TRC COMMENTS
R1	1/10/17	SUBMITTED FOR TRC REVIEW

DESIGN BY:	BDS
DRAWN BY:	BDS
CHECKED BY:	BDS
DATE:	OCTOBER, 2016

DETAILS

DRAM TREE TAVERN
302 KENTUCKY AVENUE
WILMINGTON, NC 28401

CARTIER CONSTRUCTION, INC
WALT CARTIER
PO BOX 980
WRIGHTSVILLE BEACH, NC 28480

JBS CONSULTING, PA
7332 Cotesworth Drive
Wilmington, NC 28405
(910) 619-9980
License Number C-2925
PLANNING - ENGINEERING - PROJECT MANAGEMENT

SHEET
C5
of 6
JOB NO.
109-001